

Date:	Project:	Type:	Notes:	Catalog #:
-------	----------	-------	--------	------------

WSC-AOKO SERIES

Adjustable Output, Kelvin and Optics LED Semi Cut-Off Wall Pack

The WSC-AOKO Series is great for commercial and industrial applications. Field adjustable Output, CCT and Optics options make the WSC-AOKO the ideal choice for illuminating building perimeters where control of light spill is important. Adjustability includes three lumen outputs, three color temperatures and three beam angles in each of the three fixtures offered.



Features & Specifications

Applications

Ideal for use in exterior commercial and industrial building perimeters.

Construction

Housing made from die-cast aluminum. Glass diffuser.

Mounting

Wall Mount.

Electrical

Utilizes high-efficiency LED power supply and circuit boards. 120-277V standard. Multi-color switch (30K, 40K, 50K). Three lumen outputs selectable per fixture (20W - 3020lm - 120W - 18600lm). 50/60Hz, 0-10V dimming. <20% THD. 6K-10v Surge Protection.

Beam Angle

Adjustable between 60D, 90D, and 110D using toggle switch on the fixture.

Operating Temperature

Without Motion Sensor: -40C to +50C.

With Motion Sensor: -30C to +50C.

CRI

80+

Finish

Dark Bronze. 100 Piece MOQ and 90 Day Delivery on other colors.

Warranty

Five-year warranty. Terms and Conditions Apply. See warranty documentation for more information.

Certification

UL Wet Listed. IP65 Rated. DesignLights Consortium (DLC) 6.0 Premium Listed.



Performance Data

Part # / DLC 6.0	Form Factor	Rated Wattage	Kelvin Temp	Delivered Lumens 90° BA	Efficacy
WSC-S-6L-AOKO / S-15WDY1	Small	20	3000	2840	142
		20	4000	3020	151
		20	5000	2960	148
		30	3000	4170	139
		30	4000	4440	148
		30	5000	4350	145
		40	3000	5440	136
		40	4000	5800	145
		40	5000	5680	142
WSC-M-12L-AOKO / S-ZNSSG4	Medium	55	3000	7865	143
		55	4000	8470	154
		55	5000	8525	155
		65	3000	9100	140
		65	4000	9815	151
		65	5000	9880	152
		80	3000	10960	137
		80	4000	11840	148
WSC-L-19L-AOKO / S-1QFJ1G	Large	70	3000	10220	146
		70	4000	11270	161
		70	5000	11270	161
		90	3000	12870	143
		90	4000	14220	158
		90	5000	14220	158
		120	3000	16800	140
		120	4000	18600	155
		120	5000	18600	155

Catalog Ordering

Sample Part # WSC-S-6L-AOKO

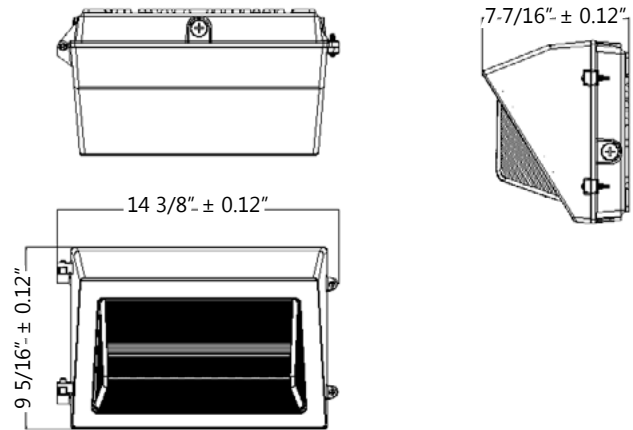
WSC					
1	2	3	4	5	6
1 - Series	2 - Module	3 - Type	4 - Finish		
WSC	S-6L (Small / 20W-30W-40W) M-12L (Medium / 55W-65W-80W) L-19L (Large / 70W-90W-120W)	AOKO (Adjustable Output and Kelvin Temp 30K, 40K, 50K)	Blank (Standard - Dark Bronze) B (Black) ¹ W (White) ¹		
5 - Controls	6 - Accessories				
BLANK (Integrated DC Photocell) OS-PW (Wet Location PIR Programmable Occupancy Sensor)	EM8W (Emergency Battery Back-Up 8W) (Internal 90 Minutes) WSC-SH Lighting Shield for all Sizes WSC-WG Wireguard for all Sales				

Notes

¹ - 100 piece MOQ and 90 Days Delivery

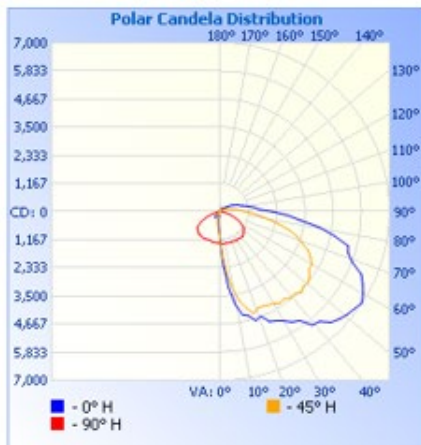
Dimensions

Version	Depth	Length	Height	Weight
Small	7 7/16"	14 3/8"	9 5/16"	10.5 lbs
Medium	7 7/16"	14 3/8"	9 5/16"	10.5 lbs
Large	7 7/16"	14 3/8"	9 5/16"	10.5 lbs

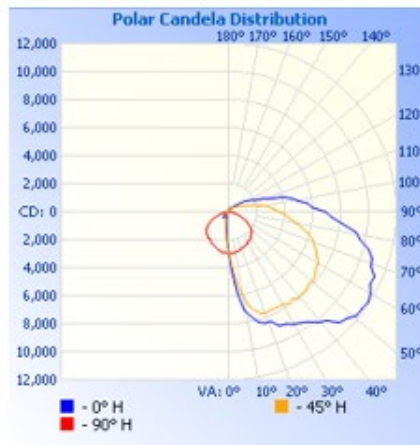


Light Distribution Optics

60 Degree



90 Degree



110 Degree

