

Date:	Project:	Type:	Notes:	Catalog #:
-------	----------	-------	--------	------------

FL-AOKO SERIES Adjustable LED Flood Light

The FL-AOKO Series is great for commercial and industrial applications. Field adjustable output, color temperatures, and optic options make the FL-AOKO the ideal choice for exterior façade applications with long lasting, energy efficient LED illumination. Adjustability includes three lumen outputs, three color temperature and three optics options in each of the three fixtures offered.



Features & Specifications

Applications

Ideal for use in exterior façade applications.

Construction

Housing made from die-cast aluminum. Tempered glass + Polycarbonate lens for all three sizes.

Mounting

Slip Fitter, Knuckle, Yoke and Trunnion mounting available depending on size. All mountings will be quoted and shipped separately for field installation.

Electrical

Utilizes high-efficiency LED power supply and circuit boards. 120-277V standard. Multi-color switch (30K, 40K, 50K). Three lumen outputs selectable per fixture (15W - 2010lm - 150W - 22800lm). 50/60Hz, 0-10V dimming. <20% THD. 6Kv Surge Protection.

Beam Angle

135*125/120*120/90*90 Degree (7H6V/6H6V/5H5V)

Operating Temperature

-40C to +50C

CRI

80+

Finish

Dark Bronze standard, Black or White with 100 piece MOQ - delivery 90 days.

Warranty

Five-year warranty. Terms and Conditions Apply. See warranty documentation for more information.

Certification

UL Wet Listed. IP65 Rated. DesignLights Consortium (DLC) 5.1 Premium Listed.



Performance Data

FSC Part #	Form Factor	3000K				4000K		5000K	
		Rated Wattage	Distribution Type	Delivered Lumens	Efficacy	Delivered Lumens	Efficacy	Delivered Lumens	Efficacy
FL-S-5L-AOKO	Small	15	7H6V	2010	134	2130	142	2040	136
		15	6H6V	2130	142	2340	156	2265	151
		15	5H5V	2010	134	2175	145	2085	139
		25	7H6V	3275	131	3475	139	3325	133
		25	6H6V	3475	139	3825	153	3700	148
		25	5H5V	3275	131	3550	142	3400	136
		35	7H6V	4480	128	4760	136	4550	130
		35	6H6V	4760	136	5250	150	5075	145
FL-M-12L-AOKO	Medium	40	7H6V	5800	145	6400	160	6120	153
		40	6H6V	6080	152	6480	162	6320	158
		40	5H5V	5920	148	6480	162	6240	156
		60	7H6V	8520	142	9420	157	9000	150
		60	6H6V	8940	149	9540	159	9300	155
		60	5H5V	8700	145	9540	159	9180	153
		80	7H6V	11120	139	12320	154	11760	147
		80	6H6V	11680	146	12480	156	12160	152
FL-L-22L-AOKO	Large	80	5H5V	11360	142	12480	156	12000	150
		100	7H6V	13900	139	15600	156	14300	143
		100	6H6V	14200	142	15800	158	14400	144
		100	5H5V	14500	145	16100	161	14800	148
		120	7H6V	16320	136	18360	153	16800	140
		120	6H6V	16680	139	18600	155	16920	141
		120	5H5V	17040	142	18960	158	17400	145
		150	7H6V	19950	133	22500	150	20550	137
150	6H6V	20400	136	22800	152	20700	138		
150	5H5V	20850	139	23250	155	21300	142		

FL					
1	2	3	4	5	6
1 - Series	2 - Module (Size & Lumens)	3 - Type		4 - Finish	
FL	S-5L (Small / 15W-25W-35W) M-12L (Medium / 40W-60W-80W) L-22L (Large / 100W-120W-150W)	AOKO (Adjustable Output , Kelvin Temp 30K, 40K, 50K and Optic)		Blank (Standard - Dark Bronze) BL (Black) ¹ WH (White) ¹	
5 - Controls		6 - Mounting			
Blank (Small/Med/Large Integrated DC ON/OFF Photocell)		FL-KM (Knuckle Mount - Small/Medium Only) FL-YM-S-AOKO (Yoke Mount - Small Only) FL-YM-M-AOKO (Yoke Mount - Medium Only) FL-YM-L-AOKO (Yoke Mount - Large Only) FL-TR-S/M-AOKO (Trunnion Mount - Small/Medium Only) FL-TR-L-AOKO (Trunnion Mount - Large Only) FL-SF (Slip Fitter Mount - Large Only)			

Mounting Options



Dimensions

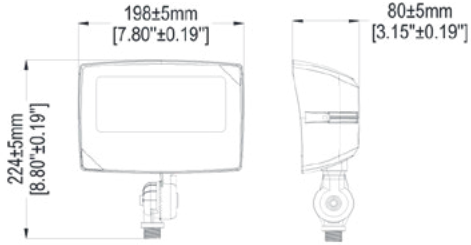
Version	Depth	Width	Height
FL-S-5L-AOKO - KM	3.15"	7.8"	8.8"
FL-S-5L-AOKO - YM	3.15"	8.87"	6.87"
FL-S-5L-AOKO - TR	3.15"	7.8"	7.67"
FL-M-12L-AOKO - KM	3.62"	9.76"	9.74"
FL-M-12L-AOKO - YM	3.62"	10.9"	7.81"
FL-M-12L-AOKO - TR	3.62"	9.76"	8.61"
FL-L-22L-AOKO - SF	5.57"	12.51"	14.22"
FL-L-22L-AOKO - YM	5.57"	13.62"	9.36"
FL-L-22L-AOKO - TR	5.57"	12.51"	12.07"

Notes

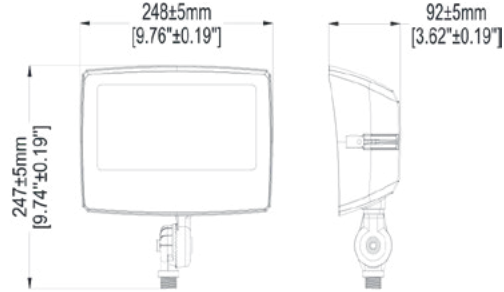
1 - 100 piece MOQ and 90 Days Delivery

Line Drawings

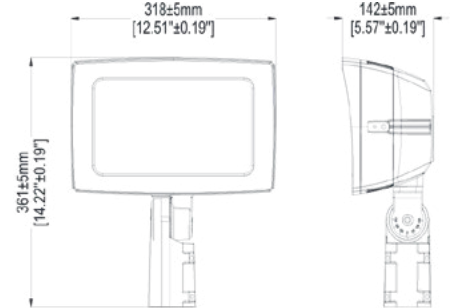
Small



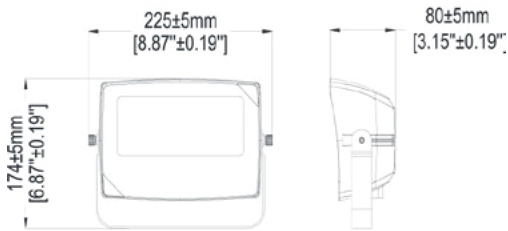
Medium



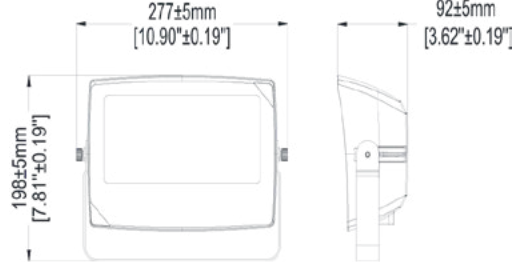
Large



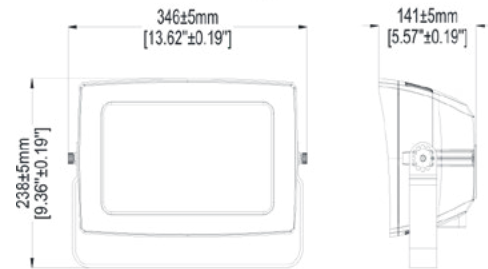
KM



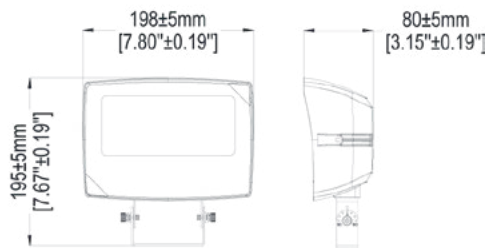
KM



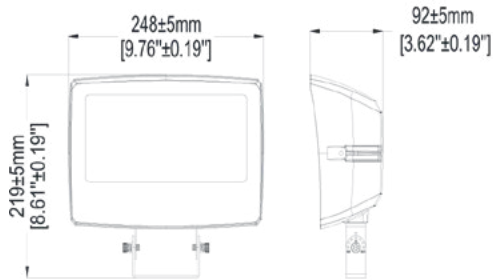
SF



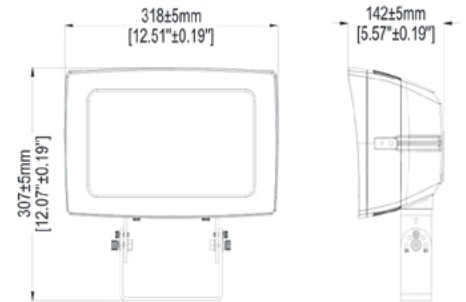
YM



YM



YM



TR

TR

TR