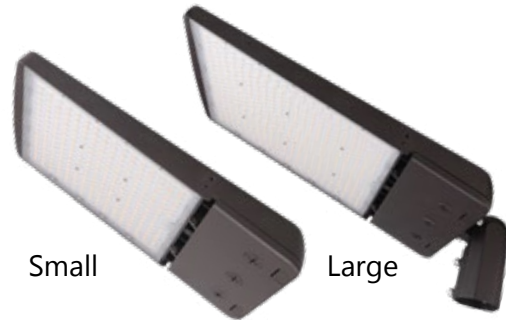


Date:	Project:	Type:	Notes:	Catalog #:
-------	----------	-------	--------	------------

AL-AOKO SERIES Adjustable Output & Kelvin and Optics LED Area Light

The AL-AOKO Series is great for commercial and industrial applications. Field adjustable output, CCT and optics options make the AL-AOKO the ideal choice for illuminating parking lots and building perimeters. Adjustability includes three lumen outputs, three color temperatures, three optics in each of the two fixtures offered.



Features & Specifications

Applications

Ideal for use in exterior commercial and industrial parking lots and building perimeters.

Construction

Housing made from die-cast aluminum. Polycarbonate lens.

Mounting

Square/Round Pole Mount, Slip Fitter, Trunnion and Yoke options.

Electrical

Utilizes high-efficiency LED power supply and circuit boards. 120-277V standard. Multi-color switch (30K, 40K, 50K). Three lumen outputs selectable per fixture (100W - 16300lm - 300W - 48000lm). 50/60Hz, 0-10V dimming. <20% THD. 6Kv Surge Protection.

Distributions

Type III, IV, and V distribution patterns.

Operating Temperature

Without Motion Sensor -40C to +50C.
With Motion Sensor -35C to +50C.

CRI

80+

Finish

Dark Bronze standard, Black or White with 100 piece MOQ - delivery 90 days.

Warranty

Five-year warranty. Terms and Conditions Apply. See warranty documentation for more information.

Certification

UL Wet Listed. IP65 Rated. DesignLights Consortium (DLC) 5.1 Premium Listed.



Catalog Ordering

Sample Part # AL-L-48L-AOKO

AL								
1	2	3	4	5	6	7	8	9

1 - Series	2 - Module	3 - Type	4 - Electrical	5 - Finish
AL	S-24L (Small / 100W-120W-150W) L-48L (Large / 150W-200W-300W)	AOKO (Adjustable Output, Kelvin Temp 30K, 40K, 50K and Optics Type III, IV, V)	Blank (120-277V) 480V (277-480V)	Blank (Standard - Dark Bronze) B (Black) ¹ W (White) ¹

6 - Mounting ²	7 - Controls	8 - Accessories ²
AL-PM (Square/Round Pole Mount) AL-SF (Slip Fitter Mount) AL-TR (Trunnion Mount) AL-YM-S-AOKO (Small Yoke Mount) AL-YM-L-AOKO (Large Yoke Mount) AL-UM (Universal Mount)	Blank (Shorting Cap) PC (120-277V Photocell) PC-480V (277-480V Photocell) OS-PW (Wet Location PIR Programmable Occupancy Sensor)	AL-SH-S-AOKO (Small - Standard Shield) AL-SH-L-AOKO (Large - Standard Shield)

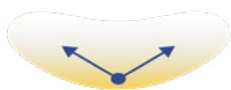
Notes

- 1 - 100 piece MOQ and 90 Days Delivery
- 2 - All mountings and accessories will be quoted and shipped separately for field installation.

Performance Data

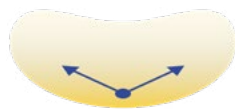
FSC Part #	Form Factor	Rated Wattage	Distribution Type	3000K (80 CRI)		4000K (80 CRI)		5000K (80CRI)	
				Delivered Lumens	Efficacy	Delivered Lumens	Efficacy	Delivered Lumens	Efficacy
AL-S-24L-AOKO	Small	100	III	15300	153	16300	163	15800	158
		100	IV	15800	158	16800	168	16300	163
		100	V	15300	153	16300	163	15800	158
		120	III	17880	149	19080	159	18480	154
		120	IV	18480	154	19680	164	19080	159
		120	V	17880	149	19080	159	18480	154
		150	III	21750	145	23250	155	22500	150
		150	IV	22500	150	24000	160	23250	155
		150	V	21750	145	23250	155	22500	150
AL-L-48L-AOKO	Large	150	III	22950	153	24450	163	23700	158
		150	IV	23700	158	25200	168	24450	163
		150	V	22950	153	24450	163	23700	158
		200	III	29800	149	31800	159	30800	154
		200	IV	30800	154	32800	164	31800	159
		200	V	29800	149	31800	159	30800	154
		300	III	43500	145	46500	155	45000	150
		300	IV	45000	150	48000	160	46500	155
		300	V	43500	145	46500	155	45000	150

Distribution



Type 3

Type III distribution is commonly known as a “bat-wing”. This distribution type is used to provide a larger area of lighting from a position along the perimeter of where lighting is required.



Type 4

Type IV has a lateral width of 60 degrees and is known as a “forward throw” distribution. It is the distribution type to choose if you are looking to illuminate sides of building façades, walls or parking areas.



Type 5

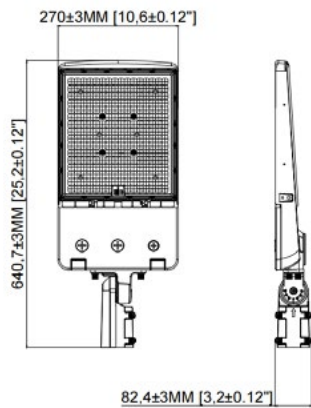
Type V distributes a circular pattern (there is also a Type VS that produces a square distribution with a more defined angle). Having the same distribution at all lateral angles, it is perfect for general area lighting—the ideal choice if you are looking to do parking lots or intersections.

Physical Characteristics

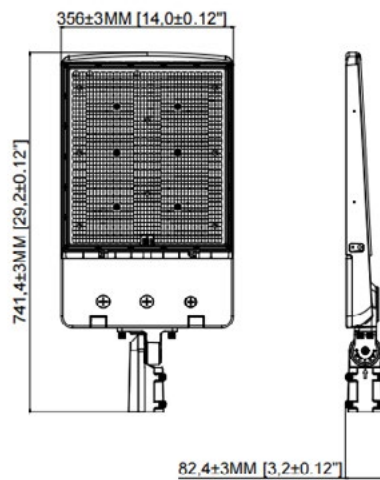
Dimensions

Version	Depth	Length	Width	Weight
Small	2.6"	18.4"	10.6"	8.7lb
Large	2.6"	22.4"	14.0"	12.5lb
TR-Trunnion	3.9"	6.3"	5.3"	3.3lb
SF-Slip-Fitter	4.1"	6.9"	4.9"	1.1lb
PM-Pole Arm	4.9"	8.4"	6.3"	2.4lb
AL-YM-S	1.6"	11.1"	6.6"	1.7lb
AL-YM-L	1.8"	13.8"	7.9"	2.0lb

Small



Large

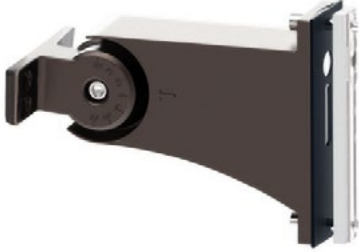


Bug Rating & EPA

	150W	300W
EPA	1.2 ft	1.9 ft
BUG	B3-U0-G3	B4-U0-G4

Mounting Options

PM- Square/ Round Pole Mount



SF- Slip-Fitter Mount



TR- Trunnion Mount



YM-S/L Yoke Mount

