

Date:	Project:	Type:	Notes:	Catalog #:
-------	----------	-------	--------	------------

CP-AOK SERIES Adjustable LED Canopy

The CP-AOK Series is great for commercial and industrial applications. Integrated Programmable Microwave Occupancy Sensor, with field adjustable output and color temperature make the CP-AOK canopy light the ideal solution in building entrances and drive-through entryways and provide added visibility for pedestrians and vehicles.



Applications

Ideal for use in exterior commercial and industrial building entrances, drive-through entry ways, and overhangs in hotels, schools, offices, gas, and service stations.

Construction

Housing made from die-cast aluminum. Polycarbonate lens.

Optics

IES Type VS

Beam Angle

160 Degree

Mounting

Surface Mount standard. Pendant Mount option supplied by Installer.

Electrical

Utilizes high-efficiency LED power supply and circuit boards. 120-277V & 0-10V dimming standard. 50/60HZ input frequency. 6KV Surge Protection.

Operating Temperature

Suitable for -30°C – 45°C Ambient

CRI

80+

Finish

Dark Bronze standard, Black or White with 100 piece MOQ - delivery 90 days.

Warranty

Five-year warranty. Terms and Conditions Apply. See warranty documentation for more information.

Certification

UL Wet Listed. Adheres to LM79, LM80 and TM21 industry standards. DesignLights Consortium® (DLC) 5.1 Premium listed. IP65 Rated.



Performance Data

FSC Part #	Form Factor	Rated Wattage	Kelvin Temp	Delivered Lumens	Efficacy	Replaces				
CP-S-5L-AOK	Small	10	3000	1370	137	50W High Pressure Sodium				
		10	4000	1520	152					
		10	5000	1470	147					
		CP-S-5L-AOK	Small	20	3000	2620	131	2 x 32W Compact Fluorescent		
				20	4000	2940	147			
				20	5000	2820	141			
				CP-S-5L-AOK	Small	35	3000	4410	126	2 x 42W Compact Fluorescent
						35	4000	4970	142	
						35	5000	4795	137	
CP-M-10L-AOK	Medium	40	3000	5360	134	100W Metal Halide				
		40	4000	5960	149					
		40	5000	5720	143					
		CP-M-10L-AOK	Medium	60	3000	7680	128	150W High Pressure Sodium		
				60	4000	8520	142			
				60	5000	8160	136			
		CP-M-10L-AOK	Medium	75	3000	9300	124	175W Metal Halide		
				75	4000	10275	137			
				75	5000	9900	132			

Catalog Ordering

Sample Part #CP-S-5L-AOK



1 - Series

CP

2 - Module

S-5L (Small / 10W-20W-35W)
M-10L (Medium / 40W-60W-75W)

3 - Type

AOK (Adjustable Output and Kelvin Temp 30K, 40K, 50K)

4 - Mounting

Blank (Surface Mount)

5 - Finish

Blank (Standard- Dark Bronze)
BL (Black)¹
WH (White)

6 - Controls

Blank (Integrated Programmable Occupancy Sensor with Remote)²
PC (Integrated DC On/Off Photocell)

7 - Options

EM8W (External Emergency Back-Up 8W)

Notes

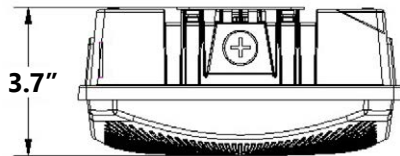
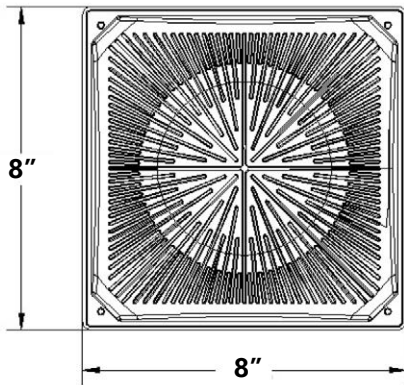
- 1 - 100 piece MOQ and 90 Days Delivery
- 2 - One Remote per Project

Physical Characteristics

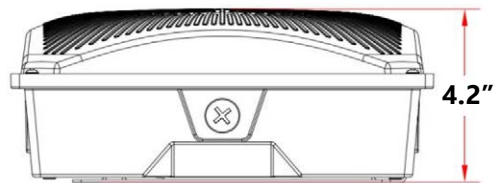
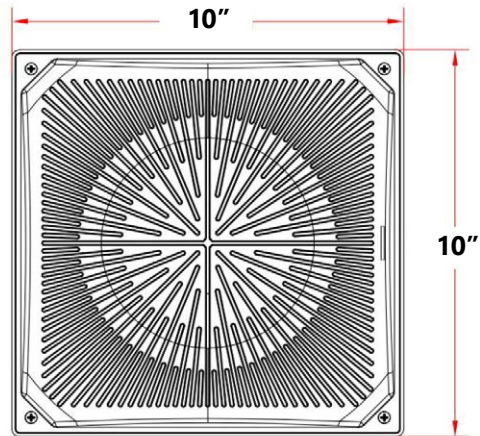
Dimensions

Version	Depth	Length	Width	Weight
Small	3.7"	8"	8"	3.8 lbs
Medium	4.2"	10"	10"	6.2 lbs

20W, 30W, 40W



40W, 60W, 75W



Tunable Instructions

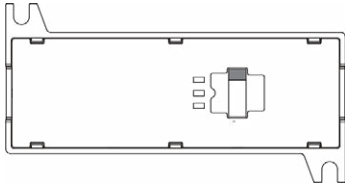
Color Tunable Instructions



1. The color temperature of the light turns to 3000K when the DIP switch is set to 3K.
2. The color temperature of the light turns to 4000K when the DIP switch is set to 4K.
3. The color temperature of the light turns to 5000K when the DIP switch is set to 5K.

Note: Please turn off the power before adjusting the color temperature.

Wattage Tunable Instructions



Turn the DIP switch to different position, the power of the light will change to the corresponding wattage.

Note: Please turn off the power before adjusting the wattage.