

Date:	Project:	Type:	Notes:	Catalog #:
-------	----------	-------	--------	------------

RHB-AOK SERIES Adjustable Output LED Round High Bay

The RHB-AOK round LED high bay delivers bright light and energy savings. Made with a durable die cast aluminum housing and polycarbonate lens that provides uniform, glare-free light distribution. It's compact design with single point mounting allows for easy installation.



Features & Specifications

Applications

Ideal for use in warehouses, distribution centers, retail, gymnasiums, commercial and industrial applications.

Construction

Housing made of die-cast aluminum and is finished with a post-production baked powder coat. Polycarbonate lens.

Mounting

J- Hook included for suspension mount. Chain and cable mount ready. Surface mount available. Standard with 3' cord.

Electrical

Utilizes high-efficiency LED power supply and circuit boards. 120-277V and 480V available. 0-10V dimming standard. 50/60HZ input frequency.

Operating Temperature

Suitable for -40°C – 50°C ambient without sensor and -30°C – 50°C ambient with sensor.

Lumen Maintenance

L70 rating of 54,000 hours

Warranty

Five-year warranty. Terms and Conditions Apply. See warranty documentation for more information.

Certification

UL Wet Listed. Adheres to LM79, LM80 and TM21 industry standards. RoHS Compliant. IP65 rated. NSF qualified. DesignLights Consortium® (DLC) 5.1 Premium.

Performance Data

FSC Part #	Form Factor	Rated Wattage	Kelvin Temp	Delivered Lumens	Efficacy	CRI
RHB-22L-AOK	Small	75	3500	10575	141	>82
		75	4000	11550	154	>82
		75	5000	10875	145	>82
		120	3500	16560	138	>82
		120	4000	18120	151	>82
		120	5000	16920	141	>82
		150	3500	20250	135	>82
		150	4000	22200	148	>82
		150	5000	20550	137	>82
RHB-29L-AOK	Large	100	3500	13742	137	>82
		100	4000	14830	148	>82
		100	5000	13995	139	>82
		150	3500	20094	134	>82
		150	4000	21708	144	>82
		150	5000	20342	135	>82
		200	3500	26990	135	>82
		200	4000	28802	144	>82
		200	5000	27432	137	>82



Catalog Ordering

Sample Part # RHB-29L-AOK

RHB								
1	2	3	4	5	6	7	8	8

1 - Series	2 - Lumens/Wattage	3 - Type	4 - Electrical	5 - Color
RHB	22L - (75 Watt) (120 Watt) (150 Watt) 29L - (100 Watt) (150 Watt) (200 Watt)	AOK (Adjustable Output and Kelvin Temp 35K, 40K & 50K)	Blank (120-277V) 480 (480V)	Blank (Black) WH (White) ¹

6 - Controls ²

RHB-OS (Programmable PIR Occupancy Sensor)
RHB-OS-R (Programmable PIR Occupancy Sensor Remote)

7 - Accessories ³

RHB-S-WG - Wireguard (Fixture) - Small
RHB-WG - Wireguard (Fixture) - Large
RHB-S-ALM - Aluminum Diffuser - Small
RHB-ALM - Aluminum Diffuser - Large
RHB-S-AC - Lens - Small
RHB-AC - Lens - Large
RHB-S-AD - Acrylic Diffuser - Small
RHB-AD - Acrylic Diffuser - Large
RHB-S-UB - U-Bracket (Surface Mounting) - Small
RHB-UB - U-Bracket (Surface Mounting) - Large
EMX40 - 40W External Mounted Emergency Battery Back-Up

Accessories



Acrylic Diffuser



Aluminum Diffuser



Wireguard



Lens

Notes

- 1** Special order. MOQ 100 pieces. 90 Day Lead-time. Contact factory.
- 2** Control and Remote will be included in the box ready for field installation.
- 3** All Accessories will be quoted and shipped separately for field installation.

Photometric Data

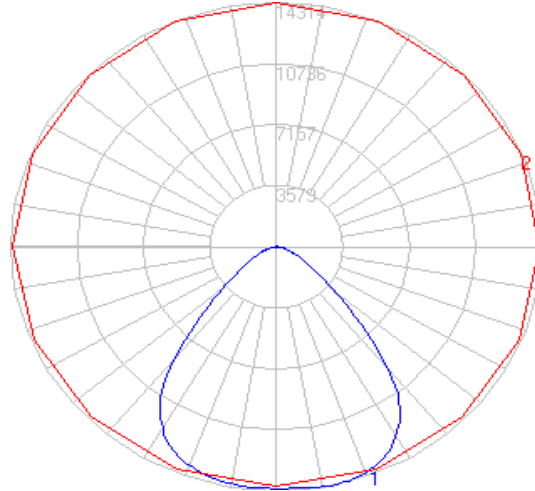
RHB-29L-AOK-35K Tested in accordance to IESNA LM-79

Zonal Lumen Summary

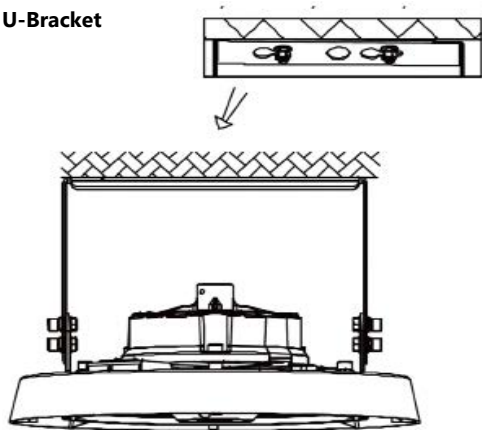
Zone	Lumens	%Luminaire
0-10	1356.97	5.02%
10-20	3990.68	14.78%
20-30	6122.35	22.68%
30-40	6741.29	24.97%
40-50	4578.23	16.96%
50-60	2369.98	8.78%
60-70	1153.42	4.27%
70-80	485.41	1.79%
80-90	93.30	1.29%
90-100	7.87	0.34%
100-110	8.08	0.02%
110-120	8.64	0.03%
120-130	11.19	0.04%
130-140	14.61	0.05%
140-150	17.40	0.05%
150-160	16.11	0.05%
160-170	11.25	0.04%
170-180	4.01	0.01%

Physical Characteristics

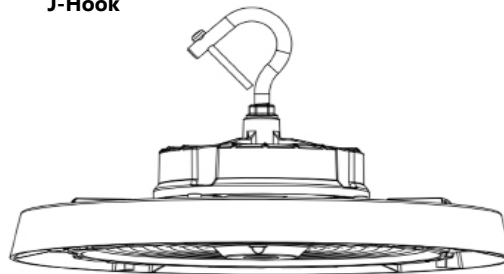
Polar Graph



U-Bracket



J-Hook

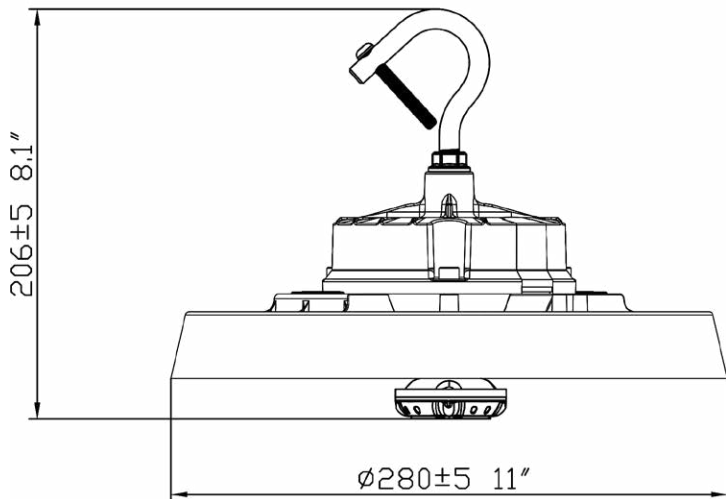
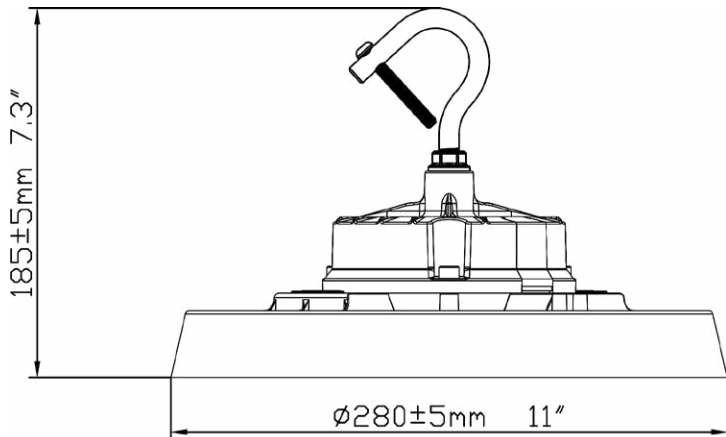


Physical Characteristics

Dimensions

Version	Depth	Diameter	Weight
RHB-22L-AOK w/ J-Hook	7.3"	11"	5lbs
RHB-29L-AOK w/ J-Hook	7.3"	13.4"	7lbs

RHB-22L-AOK Small



RHB-29L-AOK Large

