

Date:	Project:	Type:	Notes:	Catalog #:
-------	----------	-------	--------	------------

## RHB-AOK SERIES Adjustable Output LED Round High Bay

The RHB-AOK round LED high bay delivers bright light and energy savings. Made with a durable die cast aluminum housing and polycarbonate lens that provides uniform, glare-free light distribution. It's compact design with single point mounting allows for easy installation.



### Features & Specifications

#### Applications

Ideal for use in food processing, warehouses, distribution centers, retail, gymnasiums, commercial and industrial applications.

#### Construction

Housing made of die-cast aluminum and is finished with a post-production baked powder coat. Impact resistant Polycarbonate Lens per NSF.

#### Mounting

J-Hook included for suspension, chain and cable mounting. U-Bracket available for Surface Mounting and can be inverted for uplighting. For uplighting recommend not to use the Acrylic Lens. Wireguard can only be mounted directly to the fixture.

#### Electrical

Standard with 3' cord. Utilizes high-efficiency LED power supply and circuit boards. 120-277V and 480V available. 0-10V dimming standard. 50/60HZ input frequency.

#### Operating Temperature

Suitable for -40°C – 50°C ambient without sensor and -30°C – 50°C ambient with sensor.

#### Lumen Maintenance

L70 rating of 54,000 hours

#### Warranty

Five-year warranty. Terms and Conditions Apply. See warranty documentation for more information.

#### Certification

UL Wet Listed. Adheres to LM79, LM80 and TM21 industry standards. RoHS Compliant. IP65 rated. NSF qualified. DesignLights Consortium® (DLC) 5.1 Premium.

### Performance Data

FSC Part #	Form Factor	Rated Wattage	Kelvin Temp	Delivered Lumens	Efficacy	CRI
RHB-22L-AOK	Small	75	3500	10575	141	>82
		75	4000	11550	154	>82
		75	5000	10875	145	>82
		120	3500	16560	138	>82
		120	4000	18120	151	>82
		120	5000	16920	141	>82
		150	3500	20250	135	>82
		150	4000	22200	148	>82
		150	5000	20550	137	>82
RHB-29L-AOK	Large	100	3500	13742	137	>82
		100	4000	14830	148	>82
		100	5000	13995	139	>82
		150	3500	20094	134	>82
		150	4000	21708	144	>82
		150	5000	20342	135	>82
		200	3500	26990	135	>82
		200	4000	28802	144	>82
		200	5000	27432	137	>82



Catalog Ordering

Sample Part # RHB-29L-AOK

1	2	3	4	5	6	7	8	8
<b>RHB</b>								
<b>1 - Series</b>	<b>2 - Lumens/Wattage</b>	<b>3 - Type</b>	<b>4 - Electrical</b>		<b>5 - Color</b>			
<b>RHB</b>	<b>22L</b> - (75 Watt) (120 Watt) (150 Watt)  <b>29L</b> - (100 Watt) (150 Watt) (200 Watt)	<b>AOK</b> (Adjustable Output and Kelvin Temp 35K, 40K & 50K)	<b>Blank</b> (120-277V) <b>480</b> (480V)		<b>Blank</b> (Black) <b>WH</b> (White) <sup>1</sup>			

**6 - Controls <sup>2</sup>**

**RHB-OS** (Programmable PIR Occupancy Sensor) <sup>4</sup>  
**RHB-OS-R** (Programmable PIR Occupancy Sensor Remote) <sup>4</sup>

**7 - Accessories <sup>3</sup>**

**RHB-S-WG** - Wireguard (Fixture) - Small  
**RHB-WG** - Wireguard (Fixture) - Large  
**RHB-S-ALM** - Aluminum Diffuser - Small  
**RHB-ALM** - Aluminum Diffuser - Large  
**RHB-S-AC** - Lens - Small  
**RHB-AC** - Lens - Large  
**RHB-S-AD** - Acrylic Diffuser - Small  
**RHB-AD** - Acrylic Diffuser - Large  
**RHB-S-UB** - U-Bracket (Surface Mounting) - Small  
**RHB-UB** - U-Bracket (Surface Mounting) - Large  
**EMX40** - 40W External Mounted Emergency Battery Back-Up <sup>4</sup>

**Accessories**



**Acrylic Diffuser**



**Aluminum Diffuser**



**Wireguard**



**Lens**

**Notes**

- 1** Special order. MOQ 100 pieces. 90 Day Lead-time. Contact factory.
- 2** Control and Remote will be included in the box ready for field installation.
- 3** All Accessories will be quoted and shipped separately for field installation.
- 4** RHB-OS and EMX40 are not compatible and can't be installed in the same fixture.

## Photometric Data

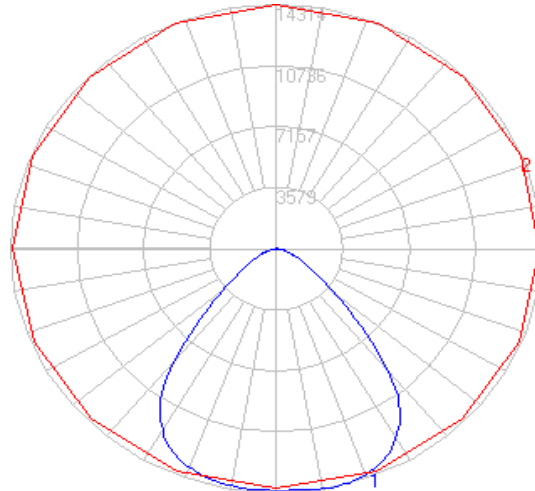
## Physical Characteristics

RHB-29L-AOK-35K Tested in accordance to IESNA LM-79

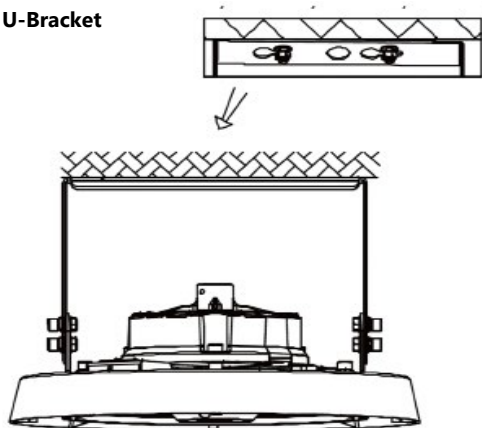
### Zonal Lumen Summary

Zone	Lumens	%Luminaire
0-10	1356.97	5.02%
10-20	3990.68	14.78%
20-30	6122.35	22.68%
30-40	6741.29	24.97%
40-50	4578.23	16.96%
50-60	2369.98	8.78%
60-70	1153.42	4.27%
70-80	485.41	1.79%
80-90	93.30	1.29%
90-100	7.87	0.34%
100-110	8.08	0.02%
110-120	8.64	0.03%
120-130	11.19	0.04%
130-140	14.61	0.05%
140-150	17.40	0.05%
150-160	16.11	0.05%
160-170	11.25	0.04%
170-180	4.01	0.01%

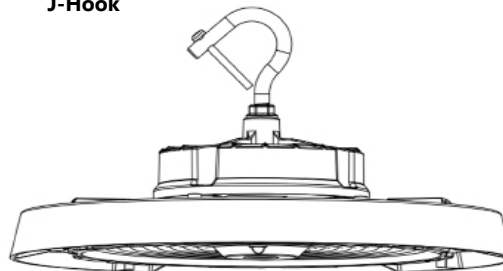
### Polar Graph



**U-Bracket**



**J-Hook**

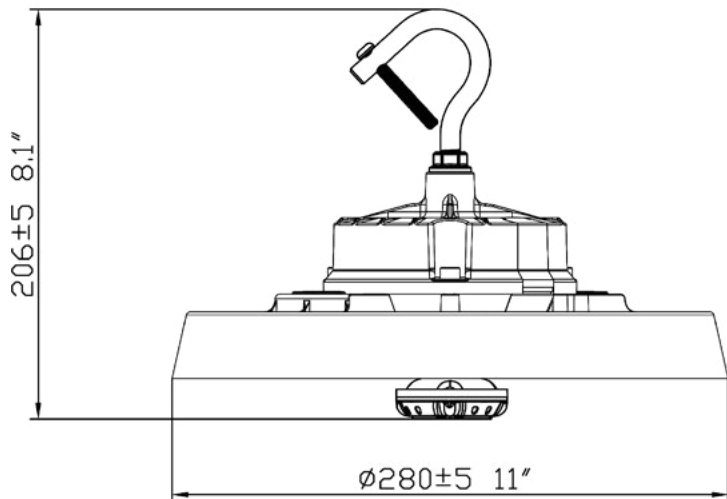
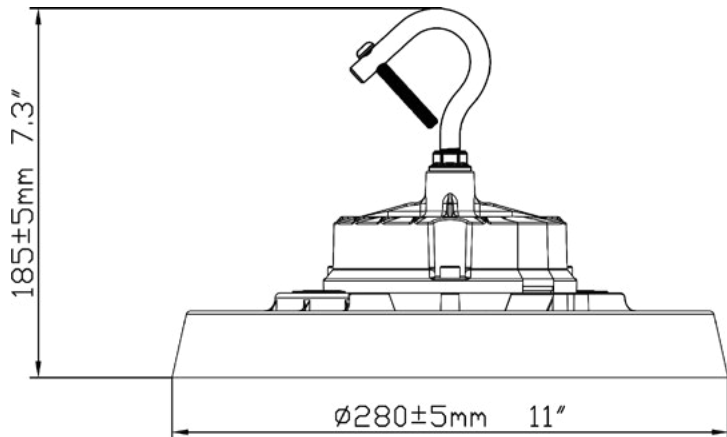


## Physical Characteristics

### Dimensions

Version	Depth	Diameter	Weight
RHB-22L-AOK w/ J-Hook	7.3"	11"	5lbs
RHB-29L-AOK w/ J-Hook	7.3"	13.4"	7lbs

**RHB-22L-AOK Small**



**RHB-29L-AOK Large**

