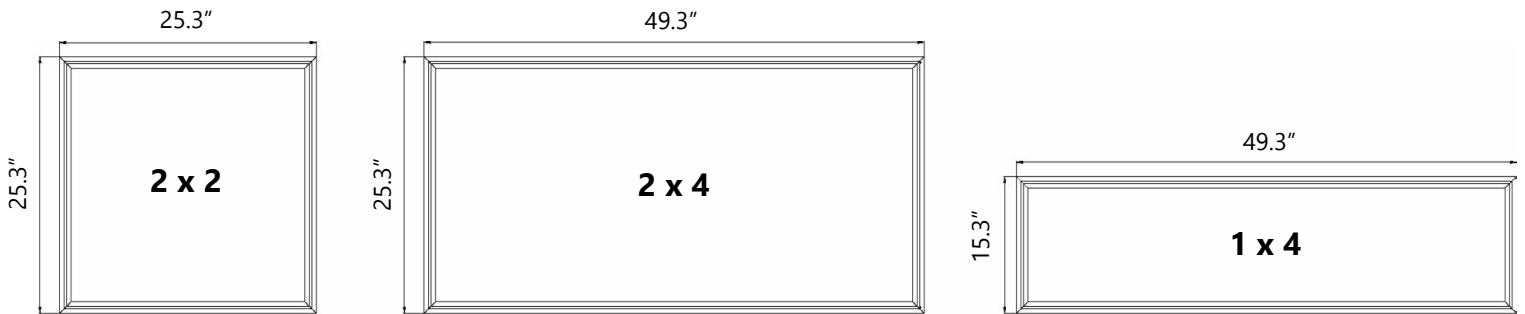
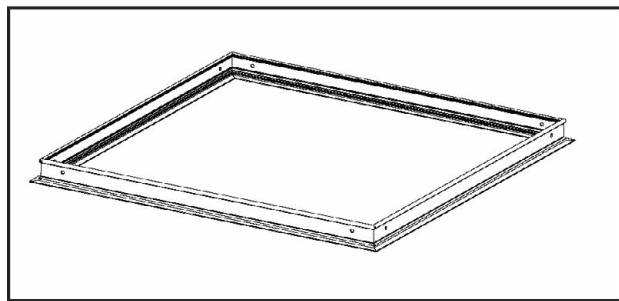


Flange Kit Installation Instructions

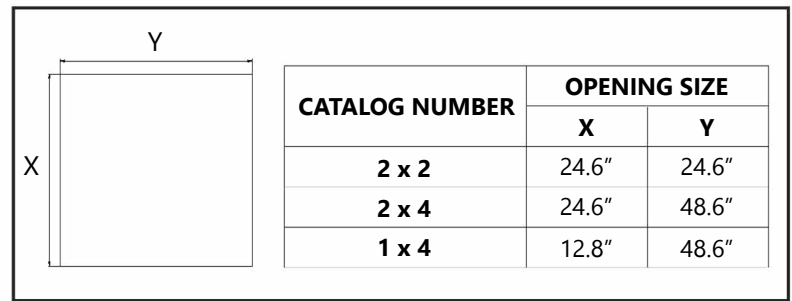
KIT'S DIMENSIONS



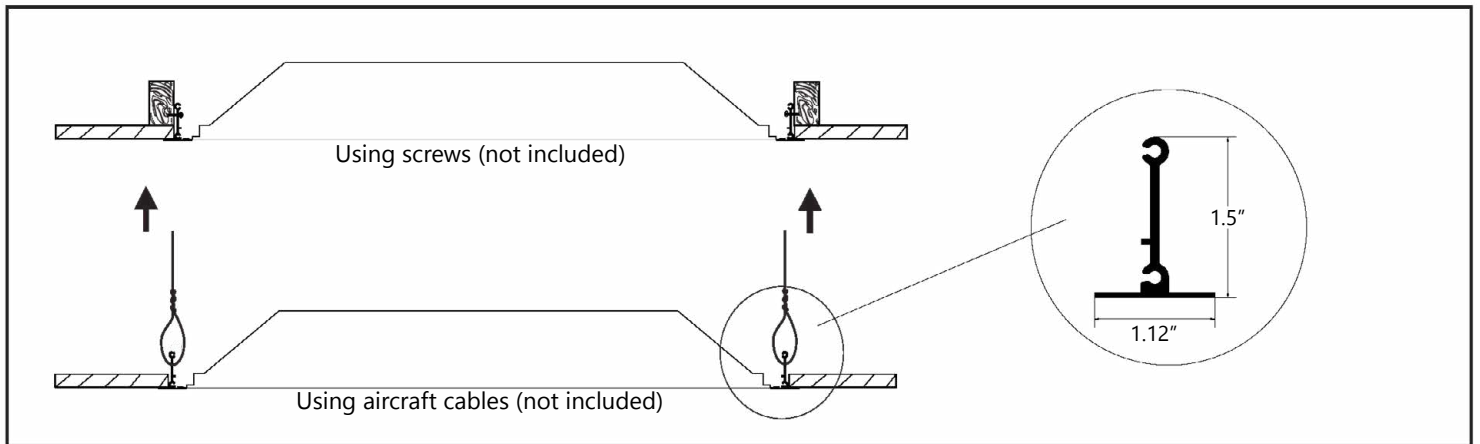
1. Assemble the mounting frame using mounting screws (included).



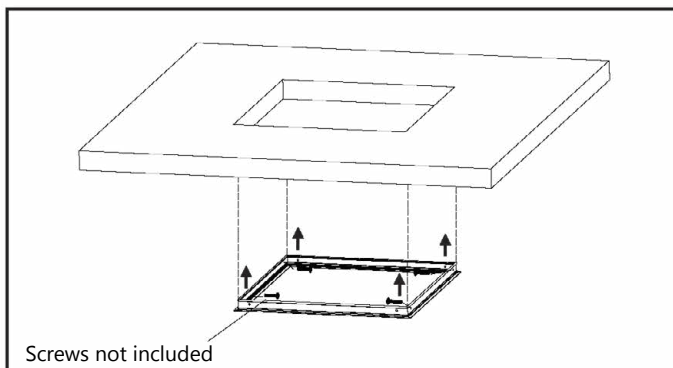
2. Cut out an opening according to the dimension table.



3. Choose the mounting method: Mounting using mounting screws (not included) or mounting using mounting screws (not included).



4. Place the kit in the ceiling opening and secure it with the screws.



5. The installation is completed.

