

LED Surface Mounted Light

General Specification:

	L1515-14W-830K-MQ/WQ L1515-14W-830K-MQ/WQ-S L1515-14W-840K-MQ/WQ L1515-14W-840K-MQ/WQ-S L1515-14W-850K-MQ/WQ L1515-14W-850K-MQ/WQ-S	L1515-27W-830K-MQ/WQ L1515-27W-830K-MQ/WQ-S L1515-27W-840K-MQ/WQ L1515-27W-840K-MQ/WQ-S L1515-27W-850K-MQ/WQ L1515-27W-850K-MQ/WQ-S	L1515-34W-830K-MQ/WQ L1515-34W-830K-MQ/WQ-S L1515-34W-840K-MQ/WQ L1515-34W-840K-MQ/WQ-S L1515-34W-850K-MQ/WQ L1515-34W-850K-MQ/WQ-S						
Input Voltage	120-277Vac, 50-60Hz								
Electrical Power Consumption	14.99W	25.91W	33.50W						
PF	>0.9								
Lumen(lm)	1454.60	1649.60	1665.30	2484.40	2837.90	2919.40	3631.20	3694.85	3758.5
Efficacy(lm/W)	97.46	110.73	112.14	97.34	109.54	113.46	108.87	110.29	112.64
CCT(K)	3000	4000	5000	3000	4000	5000	3000	4000	5000
CRI	>80								
Dimension	382mmx382mmx45mm(H)								
LED Configuration	12S10P	14S12P	16S14P						
Driver Output Current	350mA	600mA	700mA						
Driver Output Voltage	24~42 Vdc	24~42 Vdc	35~52 Vdc						
LED Type	LUMENS2835								
No. of LEDs	120	168	224						

General Safety Information

- To reduce the risk of death, personal injury or property damage from fire, electric shock, falling parts, cuts/abrasions, and other hazards read all warnings and instructions included with and on the fixture box and all fixture labels.
- Before installing, servicing, or performing routine maintenance upon this equipment, follow these general precautions.
- Commercial installation, service and maintenance of luminaires should be performed by a qualified licensed electrician.
- For Residential installation: If you are unsure about the installation or maintenance of the luminaires, consult a qualified licensed electrician and check your local electrical code.
- DO NOT INSTALL DAMAGED PRODUCT!
- This fixture is intended to be connected to a properly installed and grounded UL listed junction box.

WARNING:

RISK OF ELECTRICALSHOCK

- Turn off the power when you perform any maintenance.
- Verify that supply voltage is correct by comparing it with the luminaire label information.
- Make all electrical and grounded connections in accordance with the National Electrical Code and any applicable local code requirements.
- All wiring connections should be capped with UL approved wire connectors.

CAUTION:

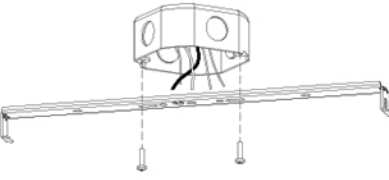
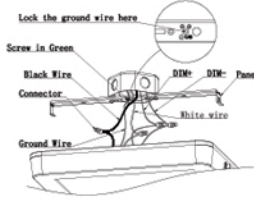
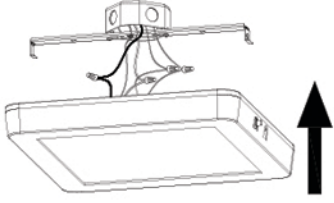
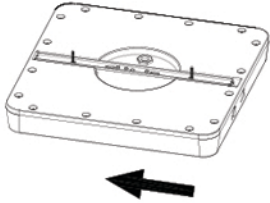
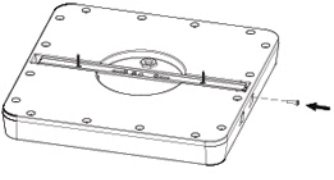
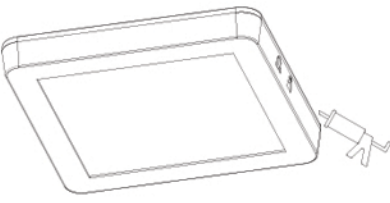
RISK OF INJURY

- Wear gloves and safety glasses at all times when removing luminaire from carton, installing, servicing or performing maintenance.
- Avoid direct eye exposure to the light source while it is on.
- Account for small parts and destroy packing material, as these may be hazardous to children.
- Don't touch the fixture when in use.
- Always switch off the mains supply. 5-10 minutes later to replace the fixture after the used fixture has cooled down.


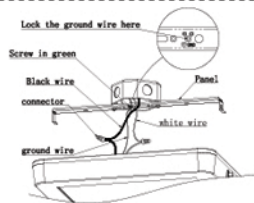
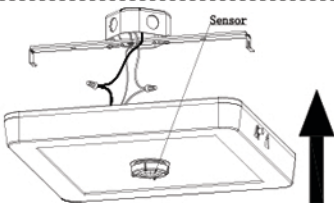
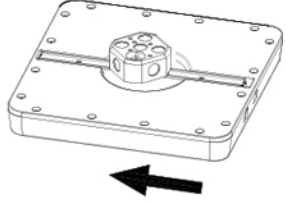
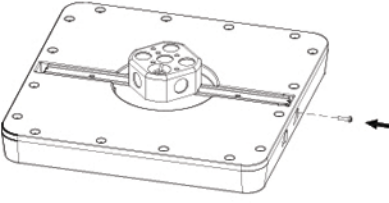
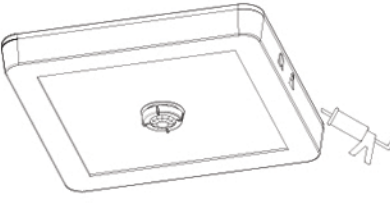
Warning:

1. ALWAYS keep AC supply off during installation
2. All wiring MUST be done by licensed electricians

The fixture W/O Sensor:

 <p>1. Align the panel hole position with the screw hole in the junction box and lock it with 2 screws.</p>	 <p>2. The black wire of the fixture is connected with the black line on the smallbox with the terminal, the white wire of the fixture is also connected with the white wire, the DIM+ and the DIM+, the DIM- is connected with the DIM- line, and the ground wire of the fixture and the ground wire on the ceiling are locked with green screws at the gnd mark of the wallboard.</p>	 <p>3. Align the back grooves of the fixture to the panel and push the fixture upward to the ceiling.</p>
 <p>4. Move the fixture to the opposite side of the panel hook until the fixture is hung by the panel.</p>	 <p>5. Insert the screw into the small hole on the side of the fixture and tighten it to ensure that the screw locks the panel and fastens the fixture.</p>	 <p>6. Evenly apply a circle of waterproof glue at the junction of the fixture and the ceiling.</p>

The fixture with Sensor:

 <p>1. Align the panel hole position with the screw hole in the junction box and lock it with 2 screws.</p>	 <p>2. The black line of the fixture is connected with the black line on the ceiling by a wiring terminal, the white line of the fixture is connected with the white line, and the ground wire of the fixture is locked on the gnd mark of the wall plate with a green screw together with the ground wire on the ceiling.</p>	 <p>3. Align the back grooves of the fixture to the panel and push the fixture upward to the ceiling.</p>
 <p>4. Move the fixture to the opposite side of the panel hook until the fixture is hung by the panel.</p>	 <p>5. Insert the screw into the small hole on the side of the fixture and tighten it to ensure that the screw locks the panel and fastens the fixture.</p>	 <p>6. Evenly apply a circle of waterproof glue at the junction of the fixture and the ceiling.</p>

Electrical Requirements:

The LED fixture must be supplied with 120-277VAC, 50/60Hz protected by a max. 20 ampere circuit breaker

Grounding Instructions:

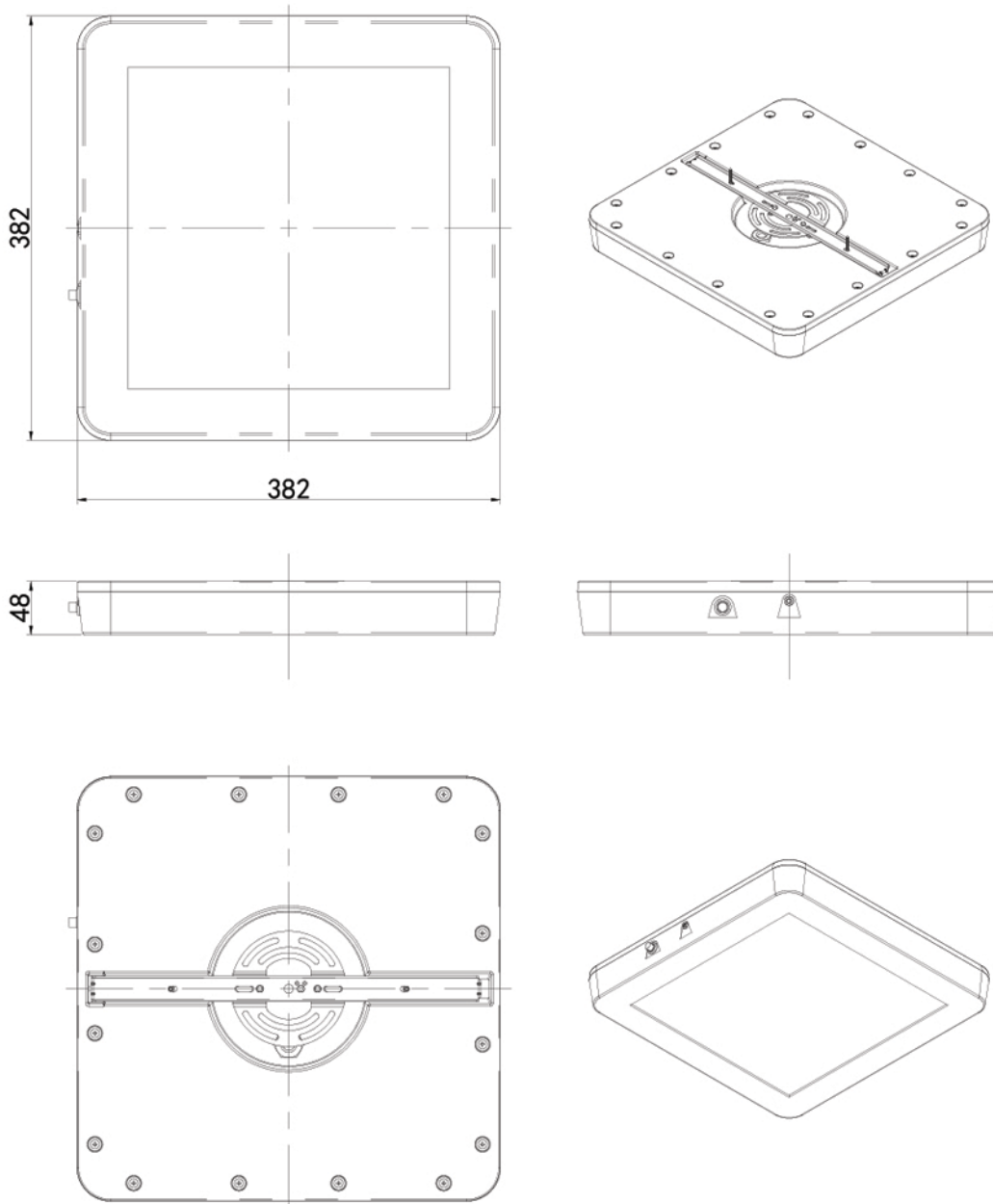
The grounding and bonding of the overall system shall be done in accordance with National Electric Code (NEC) Article 600 and local codes.

Specifications (Outline Drawing):

L1515-14W-830K-MQ/WQ
L1515-14W-840K-MQ/WQ
L1515-14W-850K-MQ/WQ

L1515-27W-830K-MQ/WQ
L1515-27W-840K-MQ/WQ
L1515-27W-850K-MQ/WQ

L1515-34W-830K-MQ/WQ
L1515-34W-840K-MQ/WQ
L1515-34W-850K-MQ/WQ



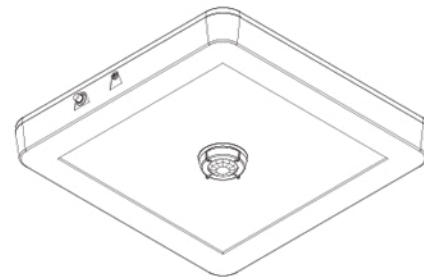
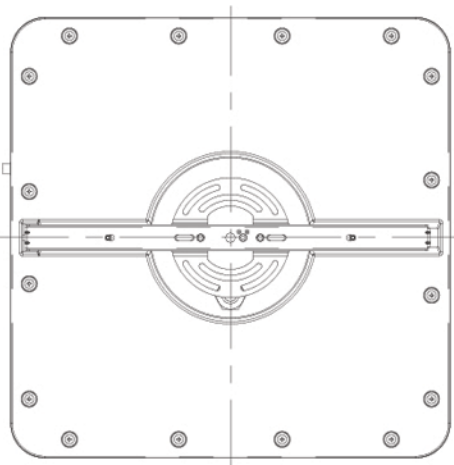
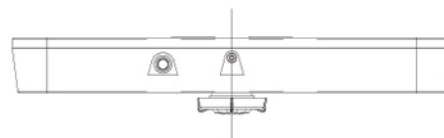
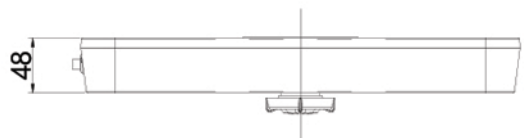
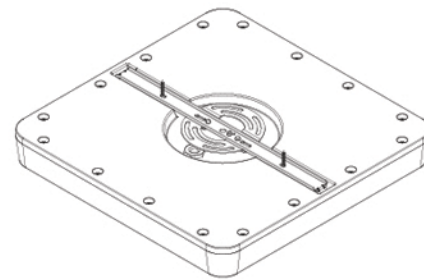
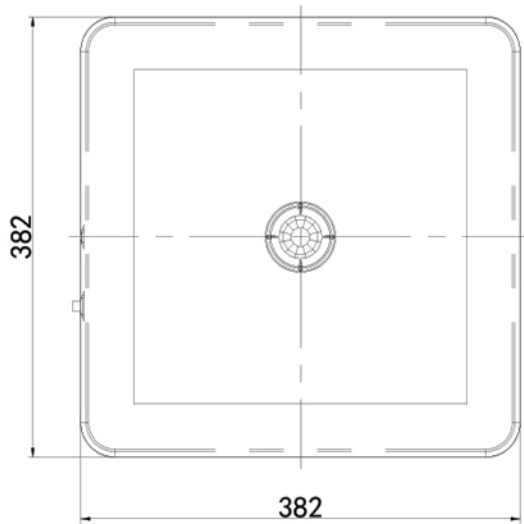
⚠ Warning:

1. ALWAYS keep AC supply off during installation
2. All wiring MUST be done by licensed electricians

L1515-14W-830K-MQ/WQ-S
L1515-14W-840K-MQ/WQ-S
L1515-14W-850K-MQ/WQ-S

L1515-27W-830K-MQ/WQ-S
L1515-27W-840K-MQ/WQ-S
L1515-27W-850K-MQ/WQ-S

L1515-34W-830K-MQ/WQ-S
L1515-34W-840K-MQ/WQ-S
L1515-34W-850K-MQ/WQ-S



Electrical Requirements:

The LED fixture must be supplied with 120~277VAC, 50/60Hz protected by a max. 20 ampere circuit breaker

Grounding Instructions:

The grounding and bonding of the overall system shall be done in accordance with National Electric Code (NEC) Article 600 and local codes.