

Date:	Project:	Type:	Notes:	Catalog #:
-------	----------	-------	--------	------------

## LEJB SERIES LED High Bay



The LEJB Series is the perfect lighting solution for a wide variety of applications. LED technology allows power and light levels to be customized to meet both energy and design needs.

### Features & Specifications

#### Applications

Ideal for use in warehouses, distribution centers, retail, gymnasiums, commercial and industrial applications.

#### Construction

Housing made 24 gauge cold rolled steel and is finished with a post-production baked white powder coat. Frosted lens.

#### Mounting

V- Hook, chain and cable mount ready. Surface mount available. Cord and plug options offered.

#### Electrical

Utilizes high-efficiency LED power supply and circuit boards. 120-277V & 0-10V dimming standard. 480V option. 50/60HZ input frequency.

#### Operating Temperature

Suitable for -20°C – 50°C Ambient

#### Lumen Maintenance

L70 rating of 100,000 hours

#### Warranty

Five-year warranty. Terms and Conditions Apply. See warranty documentation for more information.

#### Certification

UL Damp Listed. Adheres to LM79, LM80 and TM21 industry standards. DesignLights Consortium® (DLC) 5.1 Premium rated<sup>1</sup>. RoHS Compliant.

### Performance Data

Distribution	Rated Wattage	Tested Wattage	Delivered Lumens	Efficacy	CRI
Standard	70W	70W	11,200 LM	160 LPW	>80
Narrow	75W	75W	11,520 LM	160 LPW	>80
Standard	86W	86W	13,760 LM	160 LPW	>80
Standard	105W	105W	16,800 LM	160 LPW	>80
Narrow	105W	105W	16,800 LM	160 LPW	>80
Narrow	125W	125W	20,000 LM	160 LPW	>80
Standard	128W	128W	20,480 LM	160 LPW	>80
Standard	150W	150W	24,000 LM	160 LPW	>80
Narrow	150W	150W	24,000 LM	160 LPW	>80
Standard	175W	175W	28,000 LM	160 LPW	>80
Standard	210W	210W	33,600 LM	160 LPW	>80
Narrow	210W	210W	33,600 LM	160 LPW	>80
Standard	260W	260W	41,600 LM	160 LPW	>80



<b>LEJB</b>								
1	2	3	4	5	6	6	6	6

1 - Series	2 - Dimensions/Wattage	3 - Color Temp (CCT)	4 - Optics- Light Distribution
------------	------------------------	----------------------	--------------------------------

<p><b>LEJB</b></p>	<p><b>22 - 75W</b> (1x2 Foot, 75 Watt)  <b>22 - 105W</b> (1.5x2 Foot, 105 Watt)  <b>24 - 125W</b> (1x4 Foot, 125 Watt)  <b>24 - 150W</b> (1x4 Foot, 150 Watt)  <b>24 - 210W</b> (1.5x4 Foot, 210 Watt)</p> <p><b>22 - 70W</b> (1x2 Foot, 70 Watt)  <b>22 - 86W</b> (1x2 Foot, 86 Watt)  <b>22 - 105W</b> (1x2 Foot, 105 Watt)  <b>22 - 128W</b> (1x2 Foot, 128 Watt)  <b>22 - 150W</b> (1.5x2 Foot, 150 Watt)  <b>22 - 175W</b> (1.5x2 Foot, 175 Watt)  <b>24 - 210W</b> (1x4 Foot, 210 Watt)  <b>24 - 260W</b> (1x4 Foot, 260 Watt)</p>	<p><b>40K</b> (4000 Kelvin Temp)  <b>50K</b> (5000 Kelvin Temp)</p>	<p><b>ND (Narrow Distribution-Aisle Light)</b></p> <p><b>BLANK</b> (Standard Distribution)</p>
--------------------	--	---	--

**5 - Controls**

- OS** (Occupancy Sensor)
- OSD** (Occupancy Sensor w/ Daylight)
- [PRGOS-LS \(Sensorswitch LSXR-ADC-3v Occ Sensor w/ Dimming Photocell\)](#)
- [PRGOS-LR \(IRTEC LRD509 Programmable Occ Sensor w/ Remote Control\)](#)

**6 - Options**

- EM5W** (Battery Backup, 5 Watts, ~650 lumens)<sup>2</sup>
- EM10W** (Battery Backup, 10 Watts, ~1300 lumens)<sup>2</sup>
- EM5WT20** (Title 20 Compliant Battery Backup, 5 Watts, ~650 lumens)<sup>2</sup>
- EM10WT20** (Title 20 Compliant Battery Backup, 10 Watts, ~1300 lumens)<sup>2</sup>
- 480SD** (480 Step-Down)
- PLG** (6' SJT Cord & Plug)
- C6** (6' Cord)
- L7/15P** (277VT Twist-lock Plug)
- 10GL** (10' Loop w/ Gripple Hanging Kit)<sup>3</sup>
- PP** (PowerPlus)
- TMB** (Top Mount Box)
- WG** (Wireguard)
- SM** (Surface Mount Bracket)
- BAA** (Buy American Act Compliant)

**Notes**

- 1 Not all versions of this product may be DLC Premium qualified or DLC qualified. Please check the DLC Qualified Products List at [www.designlights.org/](http://www.designlights.org/) to confirm which versions are qualified.
- 2 Lumens will change based on fixture selection. Consult with factory for additional options.
- 3 Mounting kit is manufactured by Gripple Inc.

## Photometric Data

LEJB-22-105WT-50K Tested in accordance to IESNA LM-79

LEJB-22-105WT-50K-ND Tested in accordance to IESNA LM-79

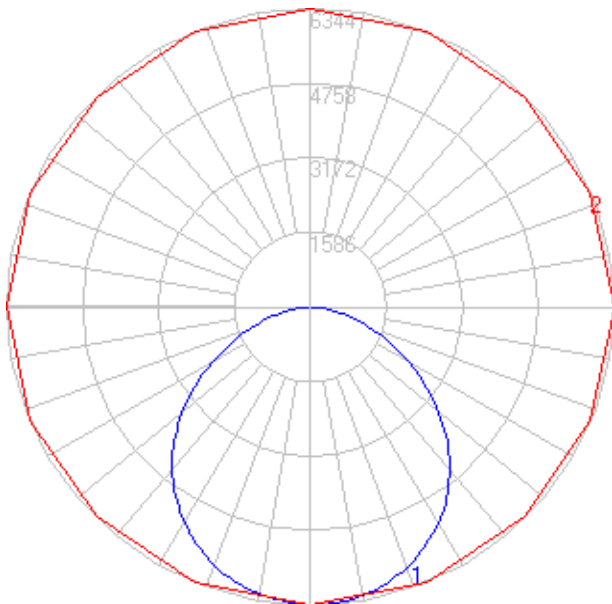
### Zonal Lumen Summary

Zone	Lumens	%Luminaire
0-10	635.37	3.69%
10-20	1,821.42	10.58%
20-30	2,750.09	15.97%
30-40	3,255.26	18.90%
40-50	3,222.96	18.72%
50-60	2,672.95	15.53%
60-70	1,805.31	10.49%
70-80	876.37	5.09%
80-90	175.53	1.02%

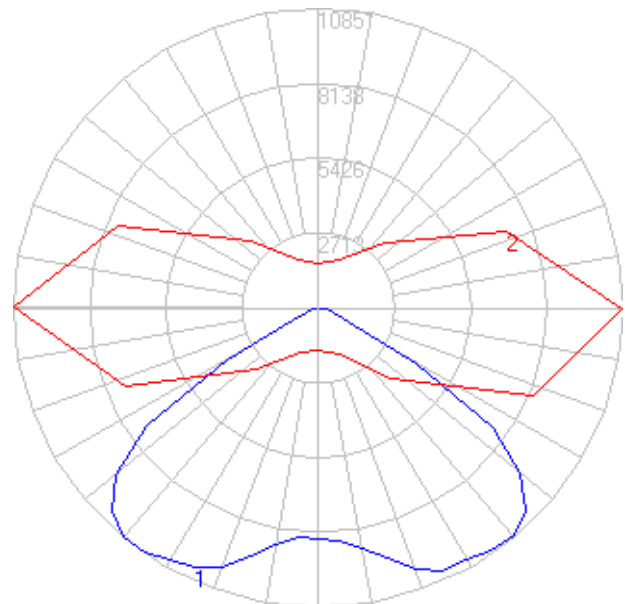
### Zonal Lumen Summary

Zone	Lumens	%Luminaire
0-10	787.03	4.88%
10-20	2,202.98	13.69%
20-30	3,106.49	19.30%
30-40	3,373.97	20.96%
40-50	3,142.56	19.52%
50-60	2,196.74	13.64%
60-70	901.59	5.60%
70-80	299.95	1.86%
80-90	83.98	0.52%

### Polar Graph



### Polar Graph



## Physical Characteristics

### Dimensions- Standard Distribution

Version	Depth	Length	Width	Weight
70W, 86W, 105W & 128W	2.20"	24.8"	15.0"	11lbs
150W & 175W	2.20"	24.8"	18.9"	13lbs
210W & 260W	2.20"	48.2"	15.0"	19lbs

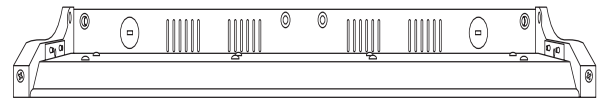
End View



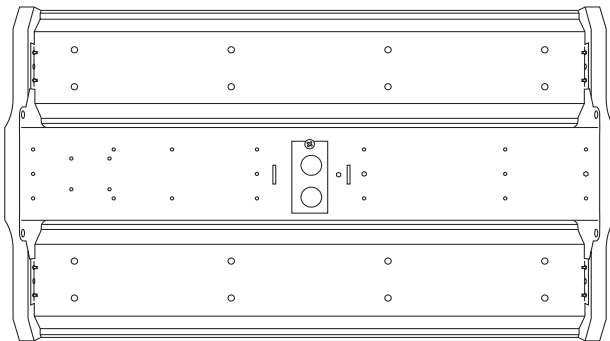
### Dimensions- Narrow Distribution/ Aisle Light

Version	Depth	Length	Width	Weight
75W-ND	2.20"	24.8"	15.0"	11lbs
105W-ND	2.20"	24.8"	18.9"	15lbs
125W-ND & 175W-ND	2.20"	48.2"	15.0"	16.5lbs
210W-ND	2.20"	48.2"	18.9"	22lbs

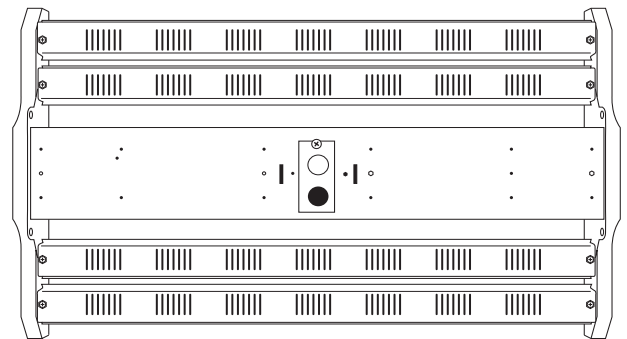
Side View



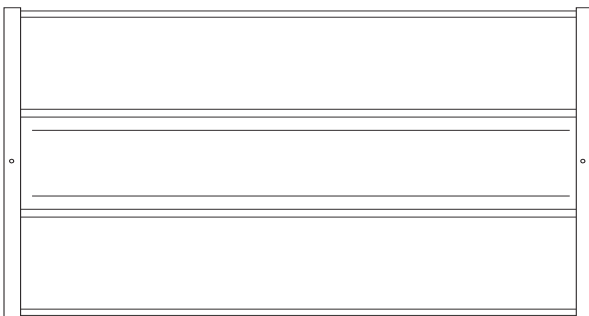
Top View- Standard



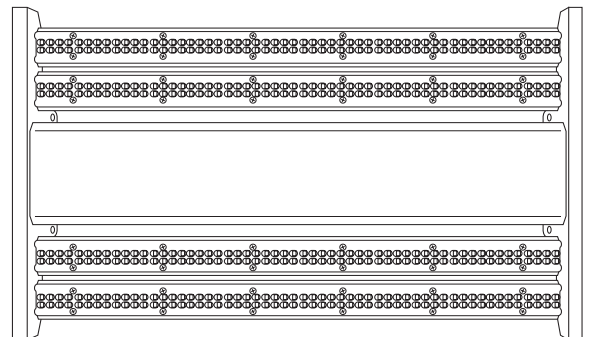
Top View- Narrow Distribution



Bottom View- Standard



Bottom View- Narrow Distribution



---

## Versions

---

LEJB-24 (Narrow Distribution- Aisle Light)

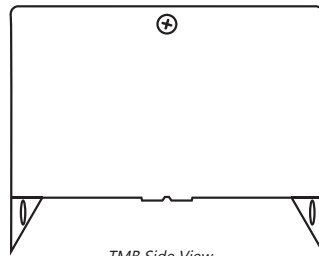
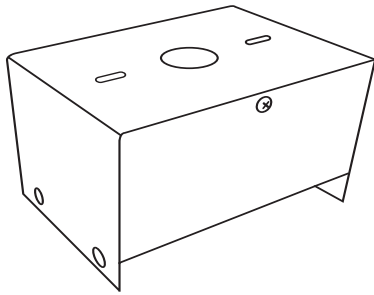


---

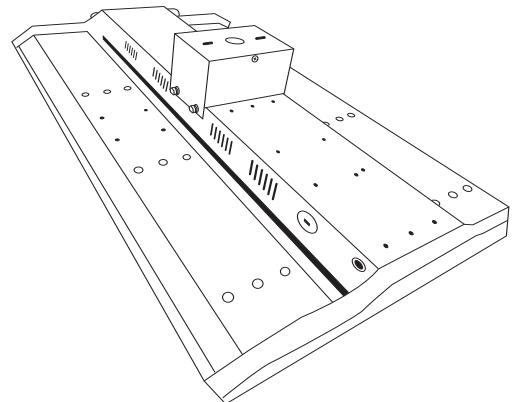
## Mounting

---

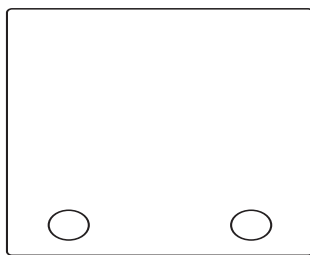
TMB (Top Mount Box)



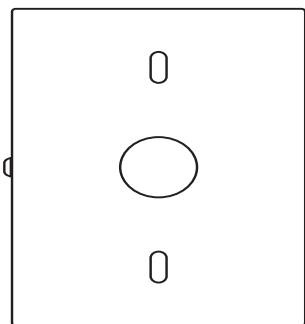
*TMB Side View*



*TMB Installed*



*TMB End View*



*TMB Top View*