

## Installation Instruction

### ⚠ WARNING

- To reduce the risk of death, personal injury or property damage from fire, electric shock, falling parts, cuts/abrasions, and other hazards read all warnings and instructions included with and on the fixture box and all fixture labels.
- Before installing, servicing, or performing routine maintenance upon this equipment, follow these general precautions.
- Commercial installation, service and maintenance of luminaires should be performed by a qualified licensed electrician.
- For the installation: If you are unsure about the installation or maintenance of the luminaires, consult a qualified licensed electrician and check your local electrical code.
- To prevent wiring damage or abrasion, do not expose wiring to edges of sheet metal or other sharp objects.
- Do not make or alter any open holes in an enclosure of wiring or electrical components during kit installation.

### ⚠ WARNING

- Turn off electrical power at fuse or circuit breaker box before wiring fixture to the power supply.
- Turn off the power when you perform any maintenance.
- Verify that supply voltage is correct by comparing it with the luminaire label information.
- All wiring connections should be capped with UL approved wire connectors.

### ⚠ CAUTION

- Avoid direct eye exposure to the light source while it is on.
- Account for small parts and destroy packing material, as these may be hazardous to children.
- Risk of burn. Disconnect power and allow fixture to cool before changing bulb or handing fixture.

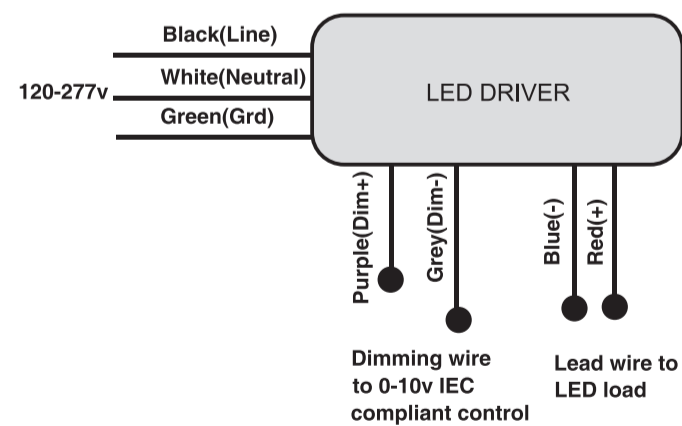
**NOTICE:** Green ground screw provided in proper location. Do not relocate.

**NOTICE:** Minimum 90° supply conductors.

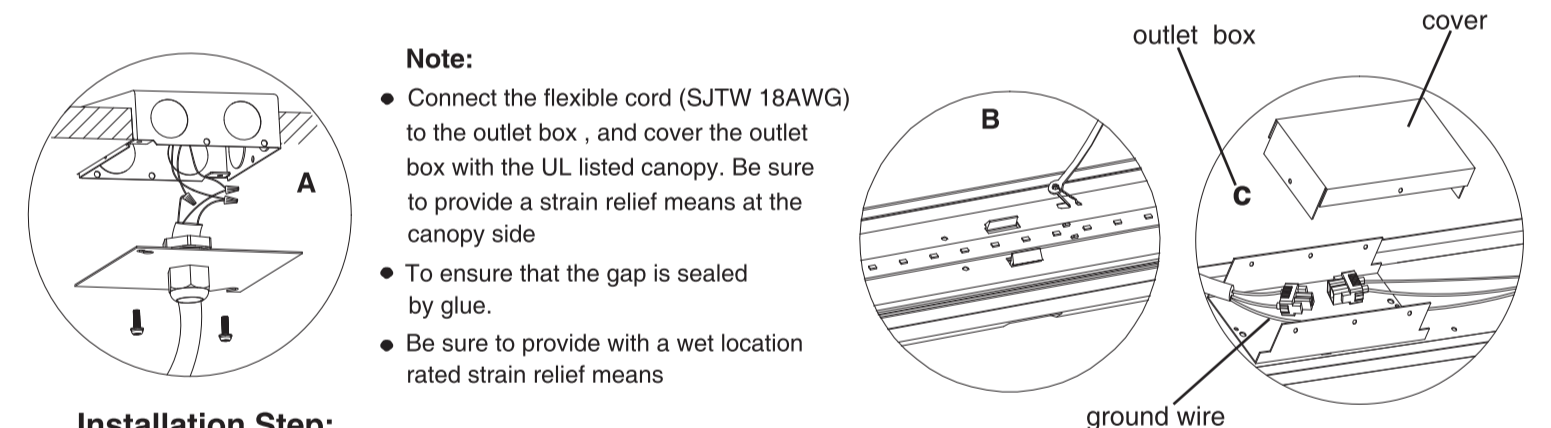
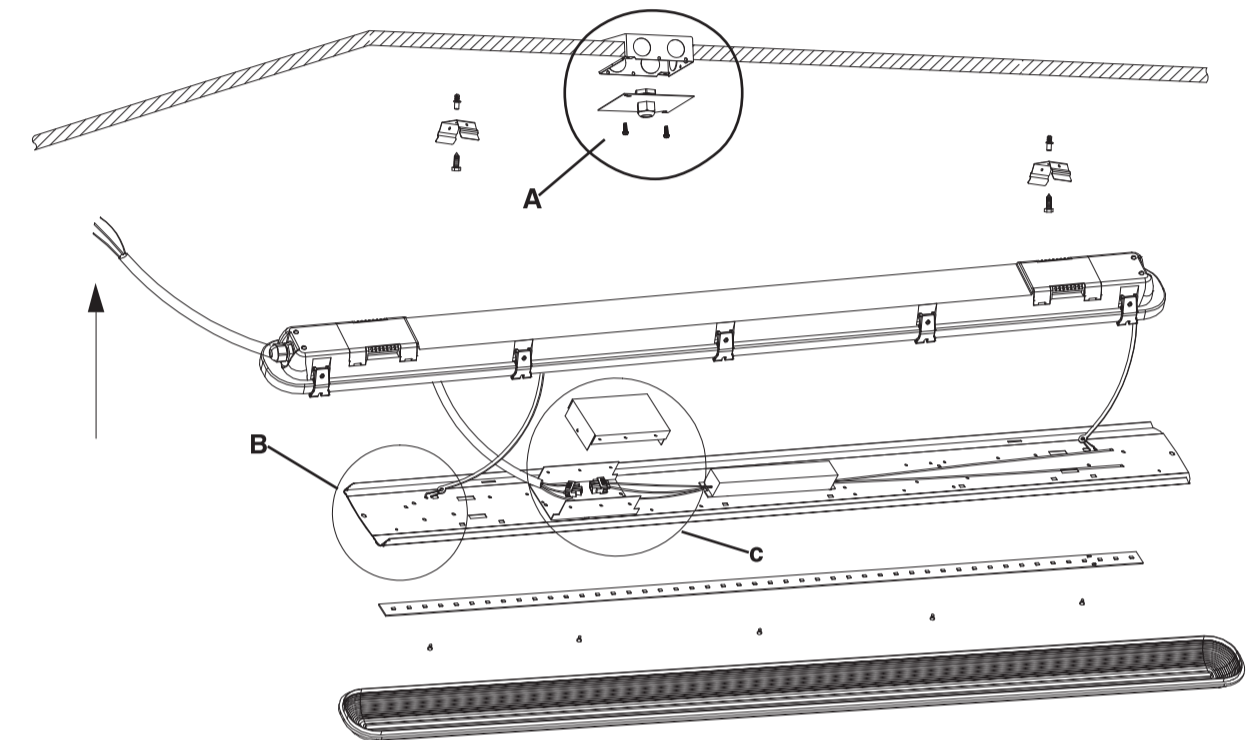
**NOTICE:** Specifications and dimensions subject to change without notice.

**NOTICE:** Suitable for wet location.

### General Wiring Diagram



## Installation Instruction



### Note:

- Connect the flexible cord (SJTW 18AWG) to the outlet box, and cover the outlet box with the UL listed canopy. Be sure to provide a strain relief means at the canopy side
- To ensure that the gap is sealed by glue.
- Be sure to provide with a wet location rated strain relief means

### Installation Step:

**Always turn off the power supply from main circuit breaker first!**

1. Locate drill holes for mounting brackets. Use hardware found in hardware kit. Mount bracket to surface.
2. Pre-attached lens buckles to housing and Detach LED tray from fixture.
3. Attach body to mounting clips
4. Locate safety cable when opening to install fixture body and Snap connect tether to gear tray before making electrical connection as shown in figure B.
5. Connect power to driver through outlet box as shown in the figure C(the flexible cord supplied by others), make sure to snap the cover to the outlet box after the wiring.
6. Follow general wiring Diagram on Figure A for reference. Make sure the power supply is disconnected before installing.
7. Reattach LED tray to fixture by reversing step 2.
8. Install lens by using the buckles provided in hardware kit to secure attach lens to body fixture. Restore power.