

Date:	Project:	Type:	Notes:	Catalog #:
-------	----------	-------	--------	------------

LEJB SERIES LED High Bay



The LEJB Series is the perfect lighting solution for a wide variety of applications. LED technology allows power and light levels to be customized to meet both energy and design needs.



Features & Specifications

Applications

Ideal for use in warehouses, distribution centers, retail, gymnasiums, commercial and industrial applications.

Construction

Housing made 24 gauge cold rolled steel and is finished with a post-production baked white powder coat. Frosted lens.

Mounting

V- Hook, chain and cable mount ready. Surface mount available. Cord and plug options offered.

Electrical

Utilizes high-efficiency LED power supply and circuit boards. 120-277V & 0-10V dimming standard. 480V option. 50/60HZ input frequency.

Operating Temperature

Suitable for -20°C – 50°C Ambient

Lumen Maintenance

L70 rating of 100,000 hours

Warranty

Five-year warranty. Terms and Conditions Apply. See warranty documentation for more information.

Certification

UL Damp Listed. Adheres to LM79, LM80 and TM21 industry standards. DesignLights Consortium® (DLC) 5.1 Premium Listed. RoHS Compliant.

Performance Data

Distribution	Rated Wattage	Tested Wattage	Delivered Lumens	Efficacy	CRI
Standard	86W	86W	13,760 LM	160 LPW	>80
Standard	105W	105W	16,800 LM	160 LPW	>80
Narrow	105W	105W	16,800 LM	160 LPW	>80
Narrow	145W	145W	23,200 LM	160 LPW	>80
Standard	150W	150W	24,000 LM	160 LPW	>80
Standard	175W	175W	28,000 LM	160 LPW	>80
Standard	210W	210W	33,600 LM	160 LPW	>80
Narrow	210W	210W	33,600 LM	160 LPW	>80



LEJB								
1	2	3	4	5	6	6	6	6
1 - Series	2 - Dimensions/Wattage	3 - Color Temp (CCT)	4 - Optics- Light Distribution					
LEJB	12 - 86W-**K (1x2 Foot, 86 Watt) 22 - 105W-**K (2x2 Foot, 105 Watt) 22 - 150W-**K (2x2 Foot, 150 Watt) 22 - 175W-50K (2x2 Foot, 175 Watt) 24 - 210W-50K (2x4 Foot, 210 Watt)	40K (4000 Kelvin Temp) 50K (5000 Kelvin Temp)	BLANK Standard Distribution					
LEJB	22 - 105W-40K-ND (2x2 Foot, 105 Watt) 24 - 145W-50K-ND (2x4 Foot, 150 Watt) 24 - 210W-50K-ND (2x4 Foot, 210 Watt)		ND Narrow Distribution-Aisle Light					

5 - Controls

- OS** On / Off PIR Occupancy Sensor
- PRGOS-LS** Sensorswitch LSXR Occ Sensor w/ Dimming Photocell
- PRGOS-LR** IRTEC LRD Programmable Occ Sensor w/ Remote Control

6 - Accessories

- EM10WT20** Title 20 Compliant Emergency Battery Backup, 10 Watts, ~1300 Lumens (lumens will change based on fixture selection)
- EM15WT20** Title 20 Compliant Emergency Battery Backup, 15 Watts, ~1950 Lumens (lumens will change based on fixture selection)
- EM20WT20** Title 20 Compliant Emergency Battery Backup, 20 Watts, ~2600 Lumens (lumens will change based on fixture selection)
- ETS-DR** UL924 Emergency Lighting Control Device
- PLG** 6' SJT Cord & Plug
- C6** 6' Black Cord. Available in White
- L7/15P** 277V, 15a Twist Lock Plug
- PP** Power Plus Receptacle
- 10GL** 10' Loop Aircraft Hanging Cable/Fixture
- TMB** Top Mount Box
- WG** Wireguard
- SM** Surface Mount Kit
- UL** add MBK2-2-4L-50K-F for Up Light

Photometric Data

LEJB-22-105WT-50K Tested in accordance to IESNA LM-79

Zonal Lumen Summary

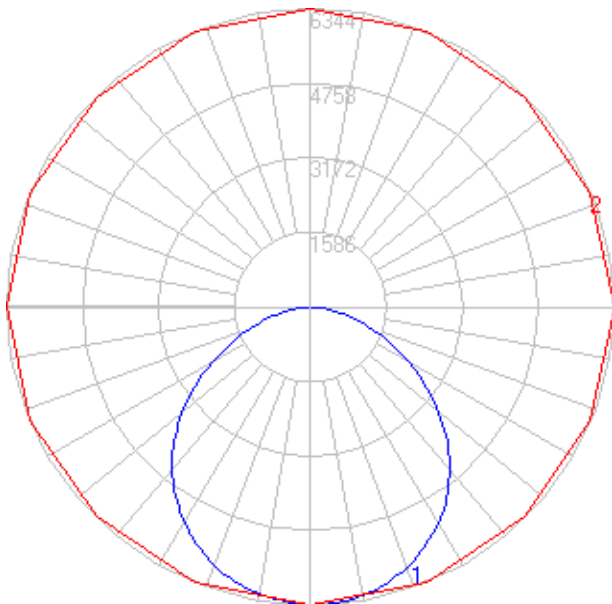
Zone	Lumens	%Luminaire
0-10	635.37	3.69%
10-20	1,821.42	10.58%
20-30	2,750.09	15.97%
30-40	3,255.26	18.90%
40-50	3,222.96	18.72%
50-60	2,672.95	15.53%
60-70	1,805.31	10.49%
70-80	876.37	5.09%
80-90	175.53	1.02%

LEJB-22-105WT-50K-ND Tested in accordance to IESNA LM-79

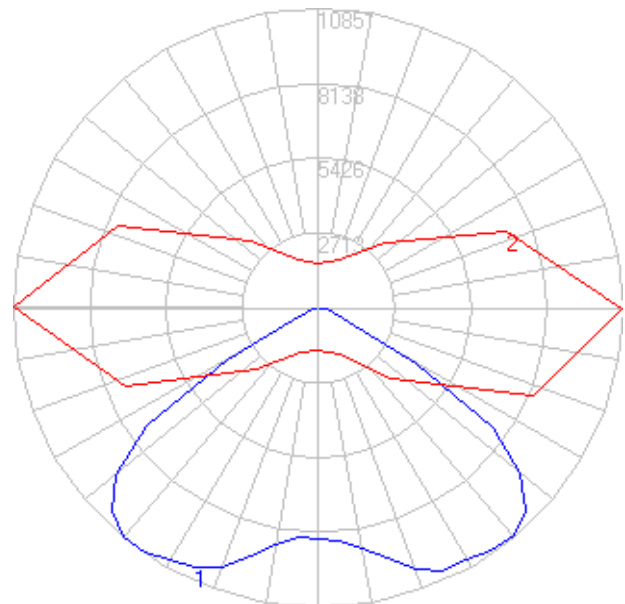
Zonal Lumen Summary

Zone	Lumens	%Luminaire
0-10	787.03	4.88%
10-20	2,202.98	13.69%
20-30	3,106.49	19.30%
30-40	3,373.97	20.96%
40-50	3,142.56	19.52%
50-60	2,196.74	13.64%
60-70	901.59	5.60%
70-80	299.95	1.86%
80-90	83.98	0.52%

Polar Graph



Polar Graph



Physical Characteristics

Dimensions- Standard Distribution

Version	Depth	Length	Width	Weight
86W, 105W & 128W	2.20"	24.8"	15.0"	11lbs
150W & 175W	2.20"	24.8"	18.9"	13lbs
210W	2.20"	48.2"	15.0"	19lbs

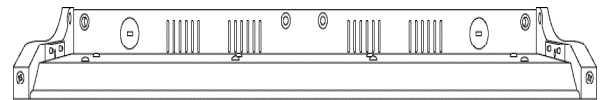
End View



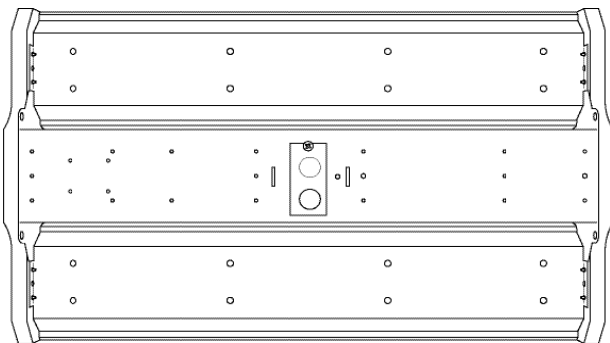
Dimensions- Narrow Distribution/ Aisle Light

Version	Depth	Length	Width	Weight
105W-ND	2.20"	24.8"	18.9"	15lbs
145W-ND	2.20"	48.2"	15.0"	16.5lbs
210W-ND	2.20"	48.2"	18.9"	22lbs

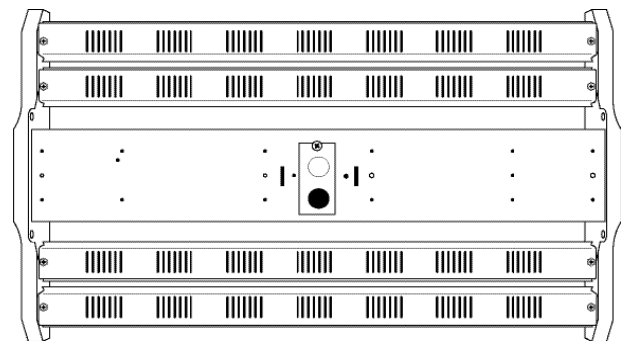
Side View



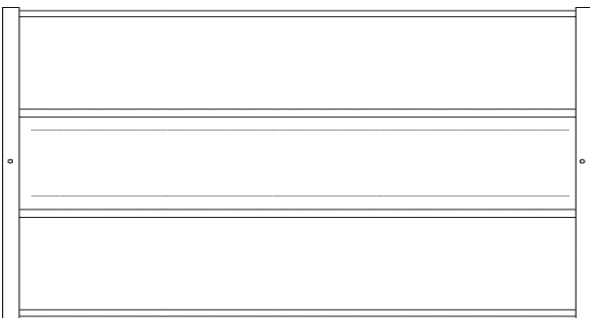
Top View- Standard



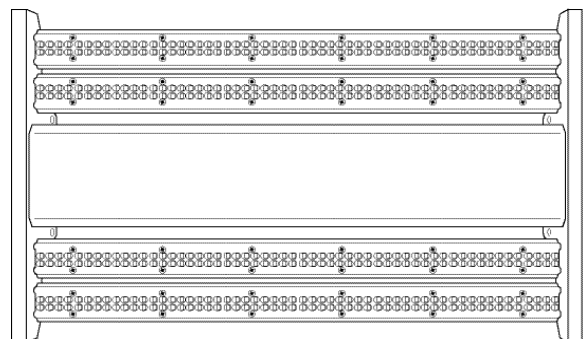
Top View- Narrow Distribution



Bottom View- Standard



Bottom View- Narrow Distribution



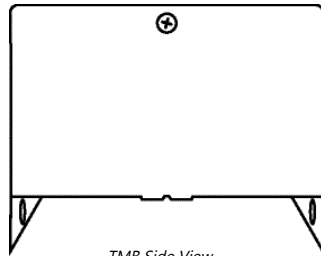
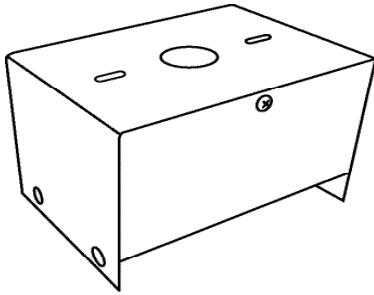
Versions

LEJB-24 (Narrow Distribution- Aisle Light)

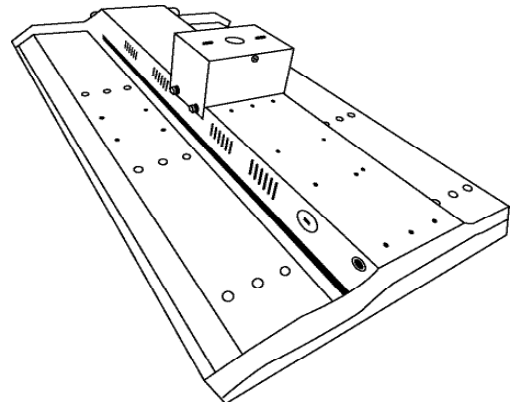


Mounting

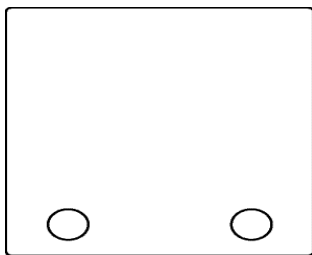
TMB (Top Mount Box)



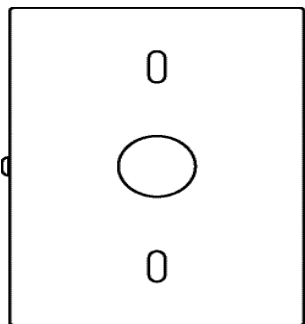
TMB Side View



TMB Installed



TMB End View



TMB Top View