

# LED Surface Mounted Light

## General Specification:

	ORBIS-16-40W-830K-MQ/WQ	ORBIS-16-60W-830K-MQ/WQ	ORBIS-16-80W-830K-MQ/WQ	ORBIS-16-40W-830K-MQ/WQ-S	ORBIS-16-60W-830K-MQ/WQ-S	ORBIS-16-80W-830K-MQ/WQ-S	ORBIS-16-40W-840K-MQ/WQ	ORBIS-16-60W-840K-MQ/WQ	ORBIS-16-80W-840K-MQ/WQ	ORBIS-16-40W-840K-MQ/WQ-S	ORBIS-16-60W-840K-MQ/WQ-S	ORBIS-16-80W-840K-MQ/WQ-S	ORBIS-16-40W-850K-MQ/WQ	ORBIS-16-60W-850K-MQ/WQ	ORBIS-16-80W-850K-MQ/WQ
Input Voltage	120~277Vac, 50-60Hz														
Electrical Power Consumption	37.6W	57.5W	72.6W												
PF	>0.9														
Lumen (lm)	4286.5	4439.0	4592.0	6773.0	6986.0	7198.0	8517.5	8804.0	9090.0						
Efficacy(lm/W)	113.97	118.00	122.03	118.49	121.52	124.51	117.43	121.35	125.28						
CCT(K)	3000	4000	5000	3000	4000	5000	3000	4000	5000						
CRI	>80														
Dimension	φ 405mmx123mm(H)														
LED Configuration	17S10P	17S15P	17S20P												
Driver Output Current	700mA	1050mA	1400mA												
Driver Output Voltage	35~52 Vdc	19~57 Vdc	40~57 Vdc												
LED Type	LUMENS2835														
No. of LEDs	170	255	340												

## General Safety Information

- To reduce the risk of death, personal injury or property damage from fire,electric shock, falling parts, cuts/abrasions, and other hazards read all warnings and instructions included with and on the fixture box and all fixture labels.
- Before installing, servicing, or performing routine maintenance upon this equipment, follow these general precautions.
- Commercial installation, service and maintenance of luminaires should be performed by a qualified licensed electrician.
- For Residential installation: If you are unsure about the installation or maintenance of the luminaires, consult a qualified licensed electrician and check your local electrical code.
- DO NOT INSTALL DAMAGED PRODUCT!
- This fixture is intended to be connected to a properly installed and grounded UL listed junction box.

### WARNING: RISK OF ELECTRICALSHOCK

- Turn off the power when you perform any maintenance.
- Verify that supply voltage is correct by comparing it with the luminaire label information.
- Make all electrical and grounded connections in accordance with the National Electrical Code and any applicable local code requirements.
- All wiring connections should be capped with UL approved wire connectors.

### CAUTION: RISK OF INJURY

- Wear gloves and safety glasses at all times when removing luminaire from carton, installing, servicing or performing maintenance.
- Avoid direct eye exposure to the light source while it is on.
- Account for small parts and destroy packing material, as these may be hazardous to children.
- Don't touch the fixture when in use.
- Always switch off the mains supply. 5-10 minutes later to replace the fixture after the used fixture has cooled down.

**Warning:**  
1. ALWAYS keep AC supply off during installation  
2. All wiring MUST be done by licensed electricians

## Installation Guide

### The fixture W/O Sensor:

1. Align the hole position of the flush mount base to the screw hole to the junction box and fasten it with two screws.
2. The hooks of the two wire ropes on the fixture are hung on the corresponding arch bridge position on the flush mount base to ensure that the body is hung by the wire rope.
3. The black wire of the lamp is connected with the black line on the ceiling with the terminal, the white wire of the lamp is also connected with the white wire, the DIM+ to the DIM+ while the DIM- is connected with the DIM- line, and the ground wire of the fixture ground wire on the ceiling are locked with green screws at the GND mark of the wallboard.
4. Point the two notches on the back of the fixture to the two hooks on the flush mount base and push the fixture upward to the ceiling.
5. Rotate the body clockwise to the end to ensure that the fixture is jammed by its base plate.
6. The two screws pass through the elliptical holes on both sides of the fixture and tighten to ensure that the screw locks the panel so that the lamp body can not rotate and fall backwards.

### The fixture with Sensor:

1. Align the hole position of the flush mount base to the screw hole to the junction box and fasten it with two screws.
2. The hooks of the two wire ropes on the fixture are hung on the corresponding arch bridge position on the flush mount base to ensure that the body is hung by the wire rope.
3. Connect the black wire of the lamp with the black wire on the ceiling with the terminal, also connect the white wire of the lamp with the white wire, and install the ground wire of the lamp with the ground line on the ceiling with the green screw lock at the GND mark of the wall board.
4. Point the two notches on the back of the fixture to the two hooks on the flush mount base and push the fixture upward to the ceiling.
5. Rotate the body clockwise to the end to ensure that the fixture is jammed by its base plate.
6. The two screws pass through the elliptical holes on both sides of the fixture and tighten to ensure that the screw locks the panel so that the lamp body can not rotate and fall backwards.

**Electrical Requirements:**  
The LED fixture must be supplied with 120~277VAC, 50/60Hz protected by a max. 20 ampere circuit breaker

**Grounding Instructions:**  
The grounding and bonding of the overall system shall be done in accordance with National Electric Code (NEC) Article 600 and local codes.

## Specifications (Outline Drawing):

ORBIS-16-40W-830K-MQ/WQ  
ORBIS-16-40W-840K-MQ/WQ  
ORBIS-16-40W-850K-MQ/WQ

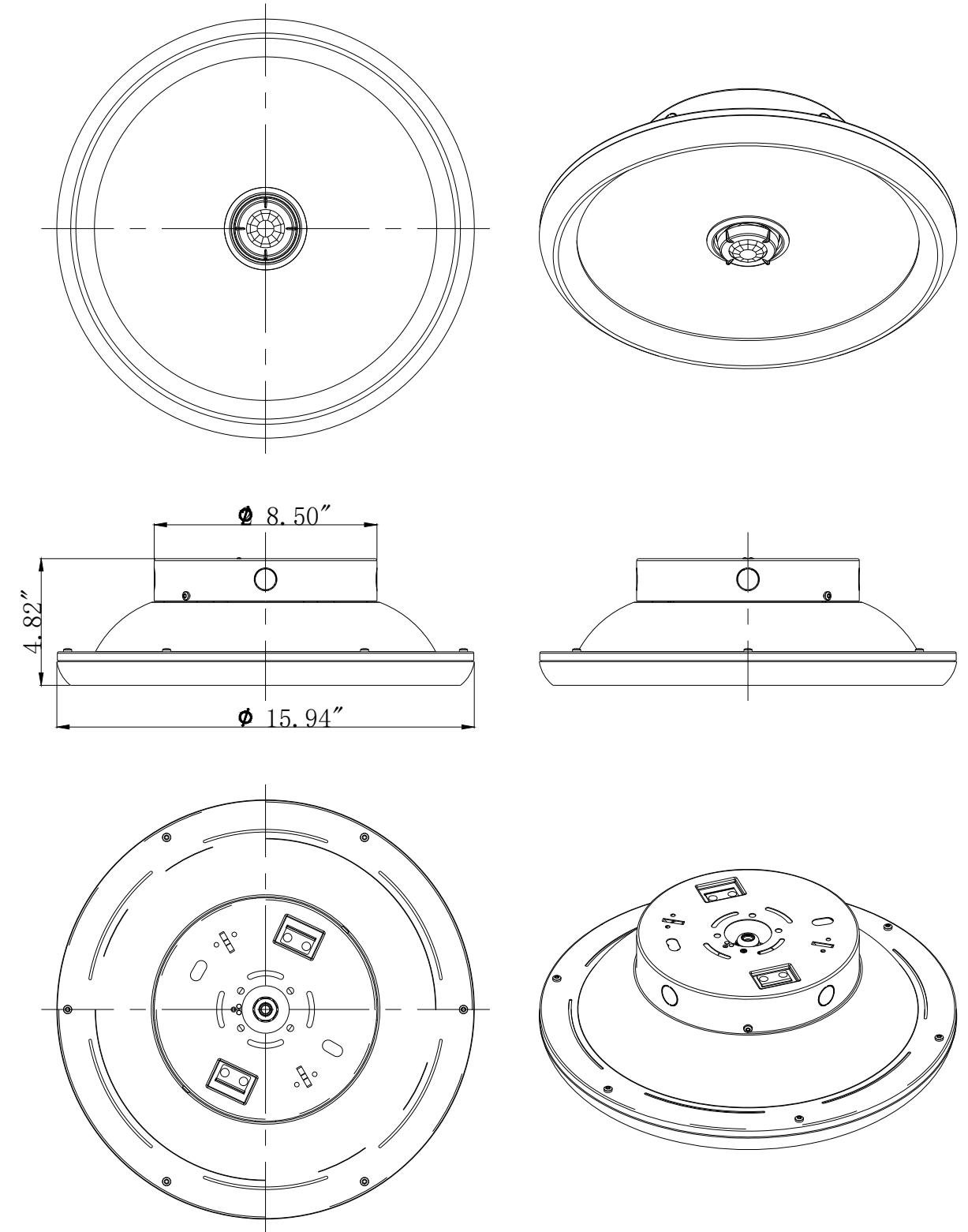
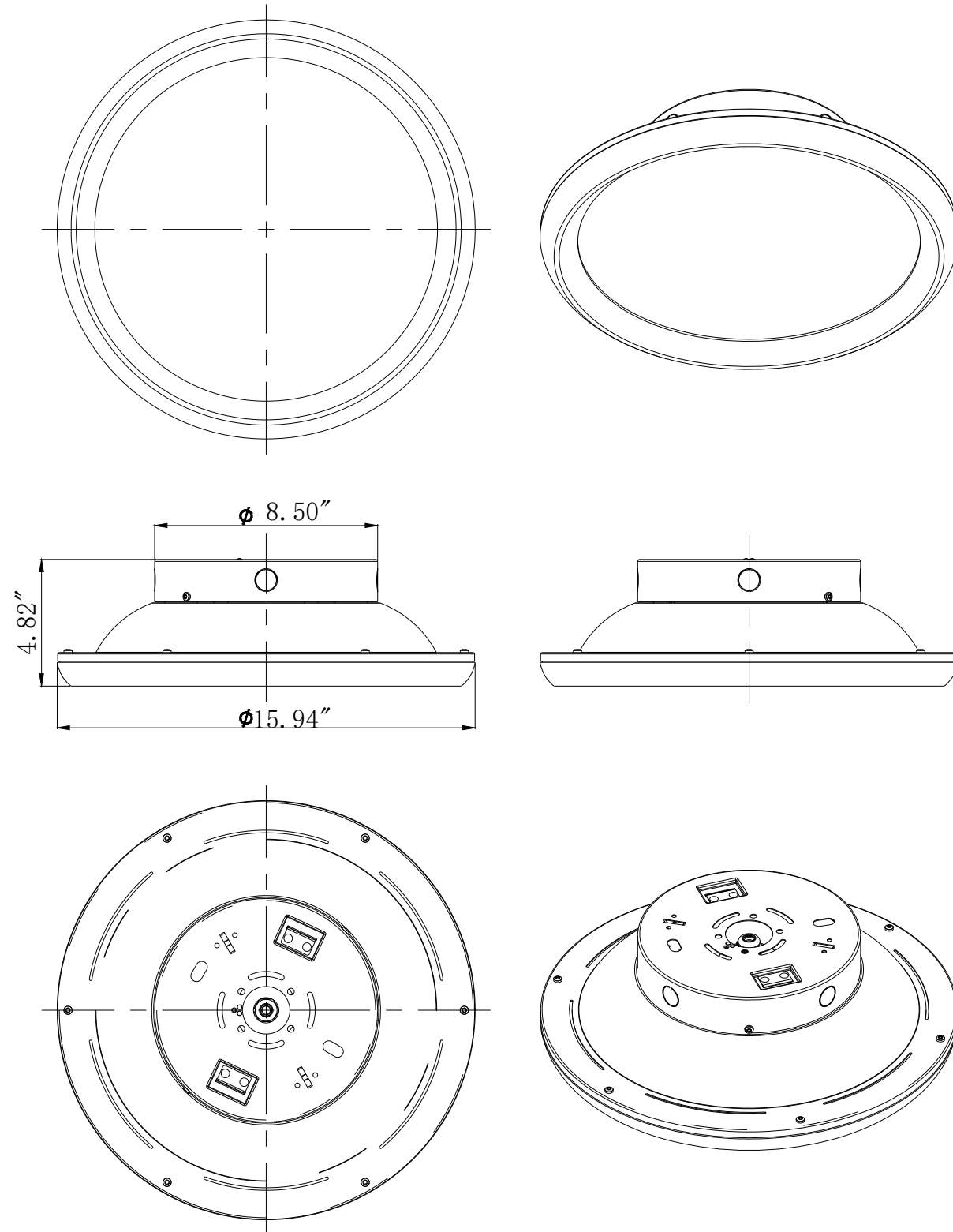
ORBIS-16-60W-830K-MQ/WQ  
ORBIS-16-60W-840K-MQ/WQ  
ORBIS-16-60W-850K-MQ/WQ

ORBIS-16-80W-830K-MQ/WQ  
ORBIS-16-80W-840K-MQ/WQ  
ORBIS-16-80W-850K-MQ/WQ

ORBIS-16-40W-830K-MQ/WQ-S  
ORBIS-16-40W-840K-MQ/WQ-S  
ORBIS-16-40W-850K-MQ/WQ-S

ORBIS-16-60W-830K-MQ/WQ-S  
ORBIS-16-60W-840K-MQ/WQ-S  
ORBIS-16-60W-850K-MQ/WQ-S

ORBIS-16-80W-830K-MQ/WQ-S  
ORBIS-16-80W-840K-MQ/WQ-S  
ORBIS-16-80W-850K-MQ/WQ-S



### Warning:

1. ALWAYS keep AC supply off during installation
2. All wiring MUST be done by licensed electricians

### Electrical Requirements:

The LED fixture must be supplied with 120-277VAC, 50/60Hz protected by a max. 20 ampere circuit breaker

### Grounding Instructions:

The grounding and bonding of the overall system shall be done in accordance with National Electric Code (NEC) Article 600 and local codes.