

**120V ac LED Undercabinet Fixture**

**Plug-in or Hard Wire, Linkable**

L31-U-12-6W-MCT , L31-U-33-13W-MCT  
L31-U-18-9W-MCT , L31-U-42-16W-MCT  
L31-U-24-11W-MCT ,

**Safety Precautions**

Read all safety precautions and installation instructions carefully before installing or servicing this fixture. Failure to comply with these instructions could result in potentially fatal electric shock and/or property damage.

It is recommended that a qualified electrician performs all wiring. This fixture must be wired in accordance with all national and local electrical codes.

Do not handle an energized fixture or attempt to energize any fixture with wet hands or while standing on a wet or damp surface or in water.

**Not to be used with a dimming circuit or any other electronically switched control.**

Make sure that the power source conforms to the requirements of the fixture. (See labels on fixture housing.)

To reduce the risk of electrical shock and to assure proper operation, this fixture must be adequately grounded.

**LED lamp and heat-sink are HOT when energized!**

Do not touch LED light engine or heat-sink.

- **12-inch minimum spacing** distance from luminaire required for all objects located under fixture.

This fixture is to be used for general indoor lighting in damp locations only. Linkable Total Wattage 150 Watts.

**Assembly Instructions**

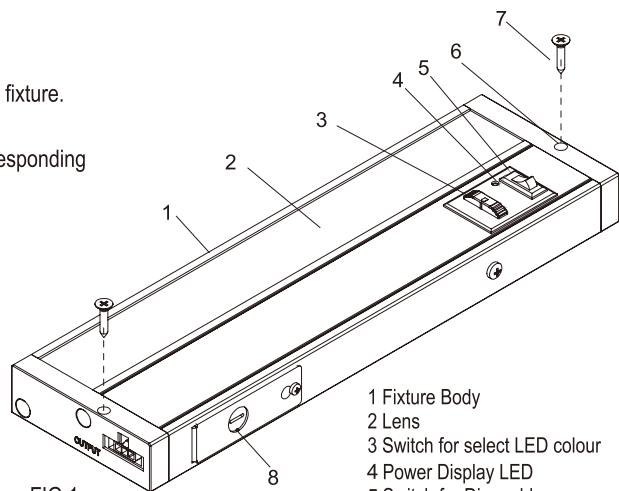
**1. Preparation for Installation**

- Disconnect electrical power before installing or servicing any part of this fixture.
- Place fixture on a clean flat surface with lens(2) towards you.
- Determine input power method (Cord, Hardwire or Link) and follow corresponding directions below.

**2. Cord to Outlet Installation**

(Skip this step if using Hardwire or Link-to-Fixture Installation )

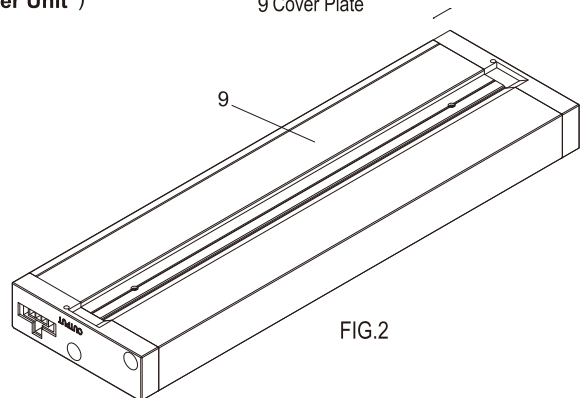
- Fixture must be mounted within 3' of an outlet. Locate the 3' power cord included in the box.
- Connect Cord to fixture by snapping the quick connect end of the cord to the corresponding connector in the end of the fixture marked "INPUT". The cord will only connect to the "INPUT" connector so make sure the right connector is identified. Do not force the connection, it should snap in easily.
- Follow the directions for Mounting below.
- Once Mounting is completed, plug the cord into the outlet.



**3. Hardwire Installation Preparation**

(Skip this step if using Cord to Outlet or Link-to-Fixture Installation to Power Unit )

- Discard Cord if Hardwire Installation is used.
- Open cover plate(10) with screwdriver. See FIG.2.
- Remove appropriate 1/2" diameter knockout for supply wiring entry. See FIG.1.
- Determine appropriate connector(FIG.4):
  - NM - Romex - A non-metallic push-on connector is included for use.
  - Flexible conduit (BX) - A push-on connector (shown) is included for use.
- Insert BX cable ( not included) or Romex (not included) through appropriate connector. Feed appropriate supply wires (1 black wire, 1 white wire and 1 ground wire) through open 1/2" hole in the housing and push connector into it snaps in place.
- Follow the directions below for Mounting then proceed to Hardwire Installation Completion.



**4. Hardwire Installation Completion**

- Connect the Green ground input supply wire to the fixture Green ground wire. Do this by inserting it into the open hole in the push-in wire connector (included) that is attached to the Green ground wire in the fixture. See FIG.3.
  - Connect the White input supply wire to the fixture White wire. Do this by inserting it into the open hole in the push-in wire connector (included) that is attached to the White wire in the fixture.
  - Connect the Black input supply wire to the fixture Black wire. Do this by inserting it into the open hole in the push-in wire connector (included) that is attached to the Black wire in the fixture.
- Do not mix wires or change polarity.**
- Pull on each wire lead to make sure connections are secure. Make certain no bare wires are exposed outside of the wire connectors.
  - To close cover plate(8) - Carefully arrange wires so they do not get pinched and rotate cover against channel. Secure cover under housing lances.

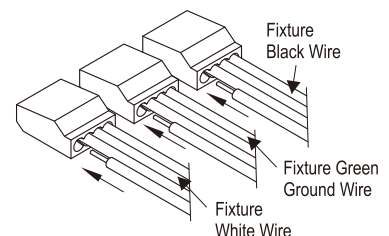


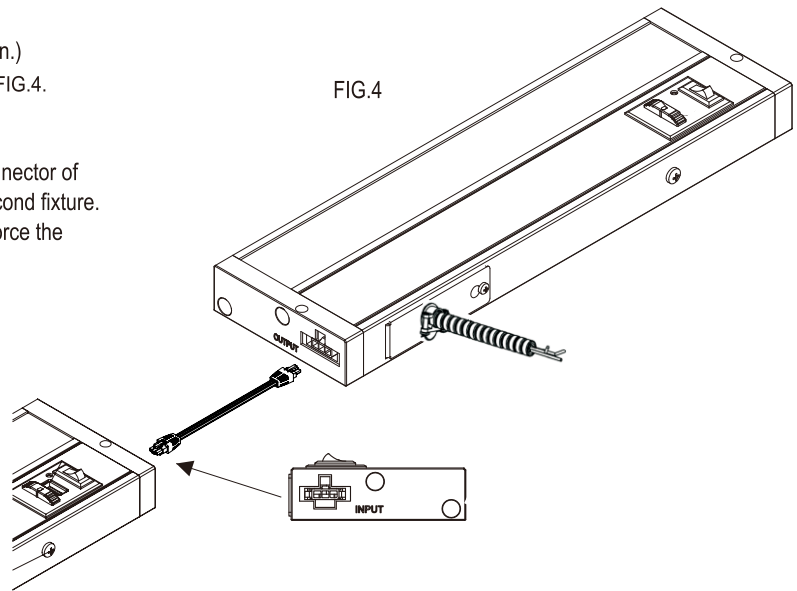
FIG.3

## 5. Link - to - Fixture Installation

(Skip this step if using Hardwire or Cord to Outlet Installation.)

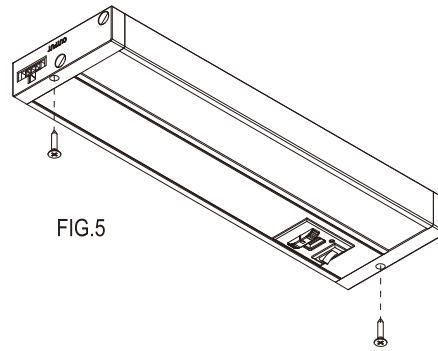
- A. First fixture in series can be Coded or Hardwired. See FIG.4.
- B. Second fixture must be located within 6" of first fixture.
- C. Make sure power is off on all fixture.
- D. Connect the Linking cord included to the "OUTPUT" connector of the first fixture and into the "INPUT" connector of the second fixture.  
(The connectors are keyed to only fit one way. Do not force the connectors, they should snap in easily.)
- E. Follow directions in Mounting Section.
- F. 152 mm maximum distance between units to be interconnected.

Note: Injury to persons and damage to the mounting surface may result if the fixture or mounting hardware is pulled from the mounting location. To reduce the possibility of such injury, be sure to mount the fixture only on a surface that is mechanically, structurally sound.



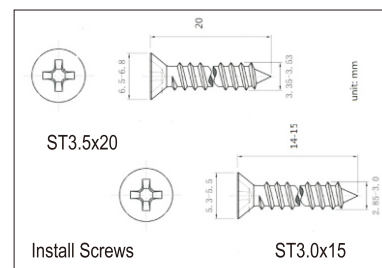
## 6. Mounting

Place and level the unit in the desired position.  
Secure the fixture with the provided mounting screws. (FIG.5)



### Attention:

Install with two ST3.5x20 Screws.  
If screws are difficult to install, mark the two points under the cabinet through the mounting holes, make holes and drill 1/16 maximum pilot holes, or May be use ST3.0x15 or similar screw to Install the Fixture.



### CAUTION

- To reduce the risk of fire, electric shock, or injury to persons:
- a) Use only insulated staples or plastic ties to secure cords;
  - b) Route and secure cords so that they will not be pinched or damaged when the cabinet is pushed to the wall;
  - c) Position the portable cabinet light with respect to the cabinet so the lamp replacement markings are able to be read during relamping;
  - d) Not intended for recessed installation in ceilings, or soffits; and
  - e) The National Electrical Code (NEC) does not permit cords to be concealed where damage to insulation may go unnoticed. To prevent fire danger, do not run cord behind walls, ceilings, soffits, or cabinets where it may be inaccessible for examination. Cords should be visually examined periodically and immediately replaced when any damage is noted.

### ATTENTION

- Pour réduire le risque d'incendie , de choc électrique ou de blessure:
- a) Utiliser des agrafes bien isolés ou des attaches en plastique pour fixer les cordons ;
  - b) Route et cordons sécurisés de sorte qu'ils ne seront pas endommagés ou pincés lorsque l'armoire est poussé contre le mur ;
  - c) Placer la lumière du cabinet portable par rapport à l' armoire de sorte que les marques de remplacement de la lampe sont en mesure de lire lors du remplacement ;
  - d) n'est pas conçu pour une installation encastrée dans les plafonds ou soffites ; et
  - e) Le National Electrical Code ( NEC ) ne permet pas de câble à être dissimulés en cas de dommage à l'isolation peut passer inaperçue . Pour éviter le danger d'incendie , ne pas passer le cordon derrière les murs, les plafonds , les soffites , ou des armoires où il peut être inaccessible pour examen . Cordons doivent être examinés visuellement périodiquement et remplacés immédiatement si des dommages sont constatés .