



| | |
|-------------|-------|
| Catalog No. | Type: |
| Job Name: | |

3500 Series

MiniCab



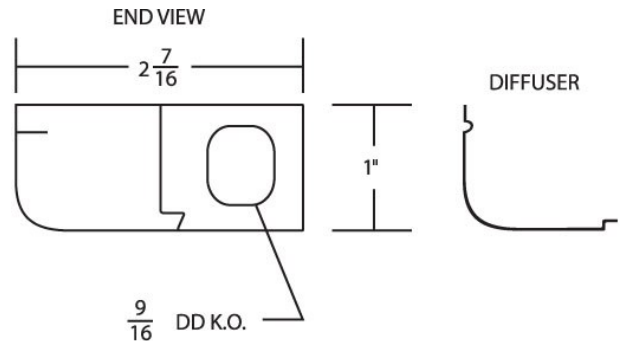
General Characteristics:

Lamp Type: T5 Linear Fluorescent
 Ballast Type: Electronic
 Standard Voltage: 120 (277 optional)
 Options: Rocker Switch, 6' SJT Grounded Cord & Plug
 Mounting: Under-Cabinet
 Additional Info.: UL Listed & Title 24 Compliant

Features & Specifications:

The 3500 series is our most compact electronic under-cabinet fixture specially designed for applications where space is limited. This sleek fixture is equipped without fasteners for easy installation and is available in a variety of lengths and lamp configurations. Ideal for kitchen cabinets, display cases, shelves, or any work area that requires task lighting.

- Finished in Baked White Enamel
- White Ribbed Acrylic Diffuser
- 1" Ultra-Slim styling creates unobtrusive hidden light source for a variety of task lighting applications
- Snap together body and ballast cover
- Knock out for miniature rocker switch
- Standard with lamps installed
- UL Listed for Damp location



Catalog Ordering: Example: 3534-277-RSW

| | | | | |
|-----------|--|--|--|--|
| 35 | | | | |
|-----------|--|--|--|--|

| FAMILY TYPE | LAMPING | LENGTH IN INCHES | VOLTAGE | OPTIONS |
|---------------|-------------------------|------------------|----------------|--|
| 35 | 10 (1- F6T5) | 9 1/4" | 120 (120 Volt) | PLG (6'SJT Grounded Cord & Plug) RSW (Rocker Switch) |
| | 12 (1- F8T5) | 12 1/4" | 277 (277 Volt) | |
| | 21 (1- F13T5) | 21 1/4" | | |
| | 22 (1- F14T5) | 22 1/2" | | |
| | 24 (2- F8T5) | 24 1/4" | | |
| | 33 (1- F8T5 & 1- F13T5) | 33 1/2" | | |
| | 34 (1- F21T5) | 34 1/2" | | |
| | 42 (2- F13T5) | 42 1/2" | | |
| 46 (1- F28T5) | 46 1/2" | | | |

Specifications and Dimensions Subject to change without notice

FSC Lighting 9120 Center Avenue, Rancho Cucamonga, CA 91730 Ph 909-948-8878 Fax 909-948-8510

Revised 1/14/14

